



# REVOLUTION™ II

## 5 BURNER



**FLARE FREE  
TECHNOLOGY™**

## ASSEMBLY MANUAL

085-0345-8 (G62701)

**LIMITED 5-YEAR WARRANTY**

Read and save manual for future reference.

Assemble your barbecue immediately. Missing or damaged parts should be claimed within 30 days of purchase.

For product inquiries, parts, warranty and troubleshooting support, please call  
1-800-275-4617.



CSA/ANSI Z21.58-2021 / CSA 1.8-2022  
Outdoor Cooking Gas Appliances



CSA/ANSI Z21.58-2021 / CSA 1.8-2022  
Outdoor Cooking Gas Appliances

Master No. 211648

[www.colemanbbqs.com](http://www.colemanbbqs.com)

Manual Revision #: 2025.12.19JC



**HEAVY ARTICLE NEEDS 2 TO LIFT**  
**THIS MANUAL MUST REMAIN WITH THE PRODUCT AT ALL TIMES**

To ORDER non-warranty replacement parts or accessories,  
or to register your warranty, please visit us on the web at  
[www.colemanbbqs.com](http://www.colemanbbqs.com)

**⚠ CAUTION**

Sharp edges. Wear gloves when assembling your barbecue.

**⚠ CAUTION**

Read and follow all safety statements, assembly instructions, use and care directions before attempting to assemble and cook.

**⚠ INSTALLER OR ASSEMBLER / CONSUMER**

This manual should be kept with the barbecue at all times.

**⚠ WARNING**

Failure to follow all of the manufacturer's instructions could result in hazardous fires, explosions, property damage, or serious personal injury or even death.

Follow all leak check procedures carefully prior to operation of barbecue, even if barbecue was dealer assembled. Do not try to light this barbecue without reading the Lighting Instructions section of this manual.

**⚠ DANGER**

**1. If you smell gas:**

- **Shut off gas to the appliance**
- **Extinguish any open flame**
- **Open lid**
- **If odour continues, keep away from the appliance and immediately call your gas supplier or your fire department**

**2. Requires two people to complete the assembly process.**

**3. Beware of sharp edges.**

**⚠ WARNING**

- **Do not store or use gasoline or other flammable liquids or vapours in the vicinity of this or any other appliance.**
- **An LP cylinder not connected for use shall not be stored in the vicinity of this or any other appliance.**

**⚠ WARNING**

IN DIRECT SUN, AND IN OPERATION, YOUR BARBECUE'S STAINLESS STEEL AND PAINTED STEEL PARTS CAN BECOME VERY HOT.

**THIS BARBECUE IS FOR OUTDOOR USE ONLY**  
**CONTACT CALL CENTRE IF ANY PARTS ARE MISSING**  
**1-800-275-4617**

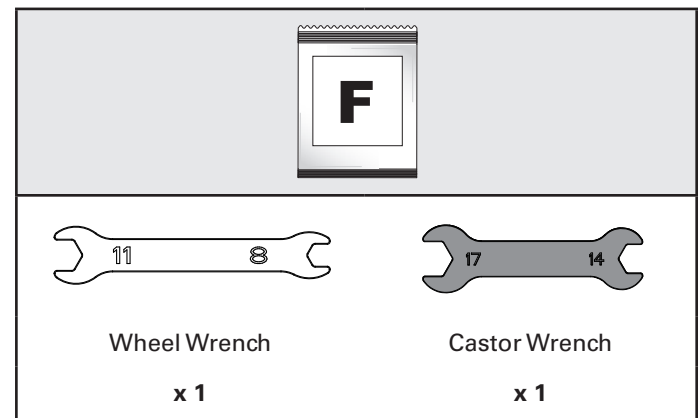
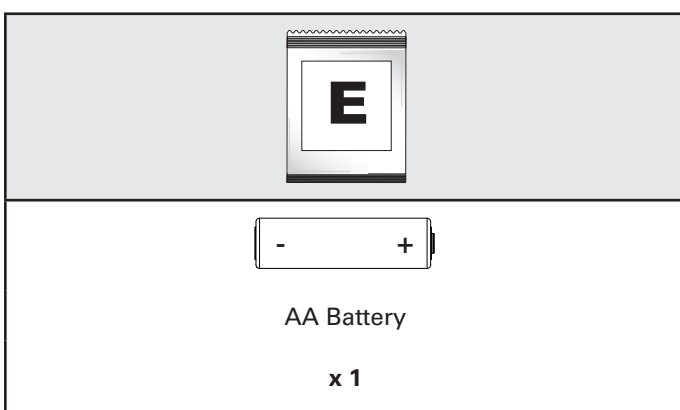
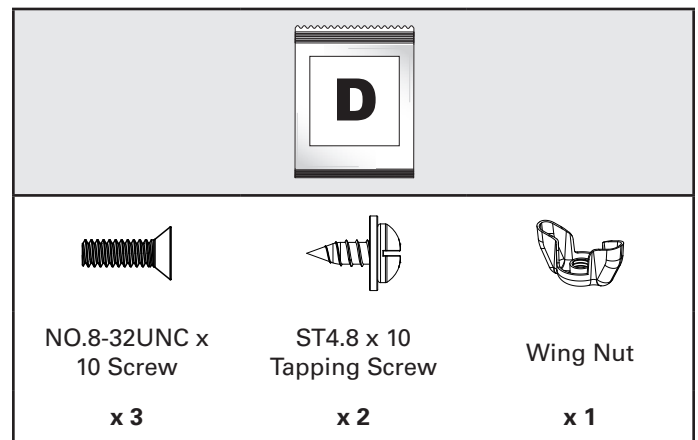
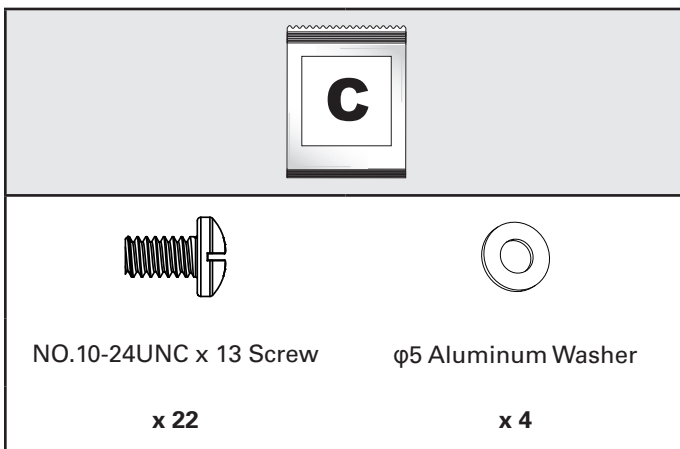
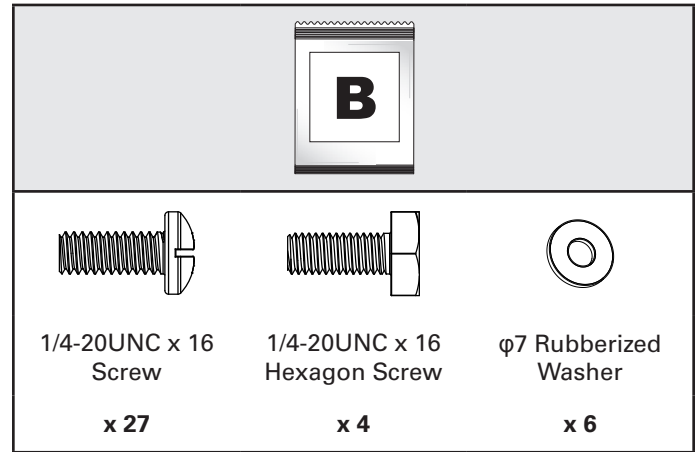
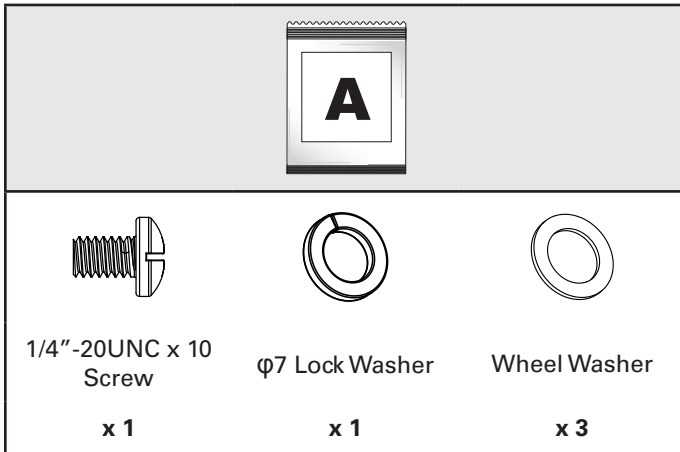
# HARDWARE PACK

## TOOLS NEEDED FOR ASSEMBLY

- #2 Phillips screwdriver (long and short)
- 1/4" Slotted screwdriver (long and short)
- Pliers

### ⚠ Caution:

Sheet metal can cause injury. Wear gloves when installing the barbecue.



**BEFORE ASSEMBLING THIS BARBECUE, READ THE INSTRUCTIONS CAREFULLY.**

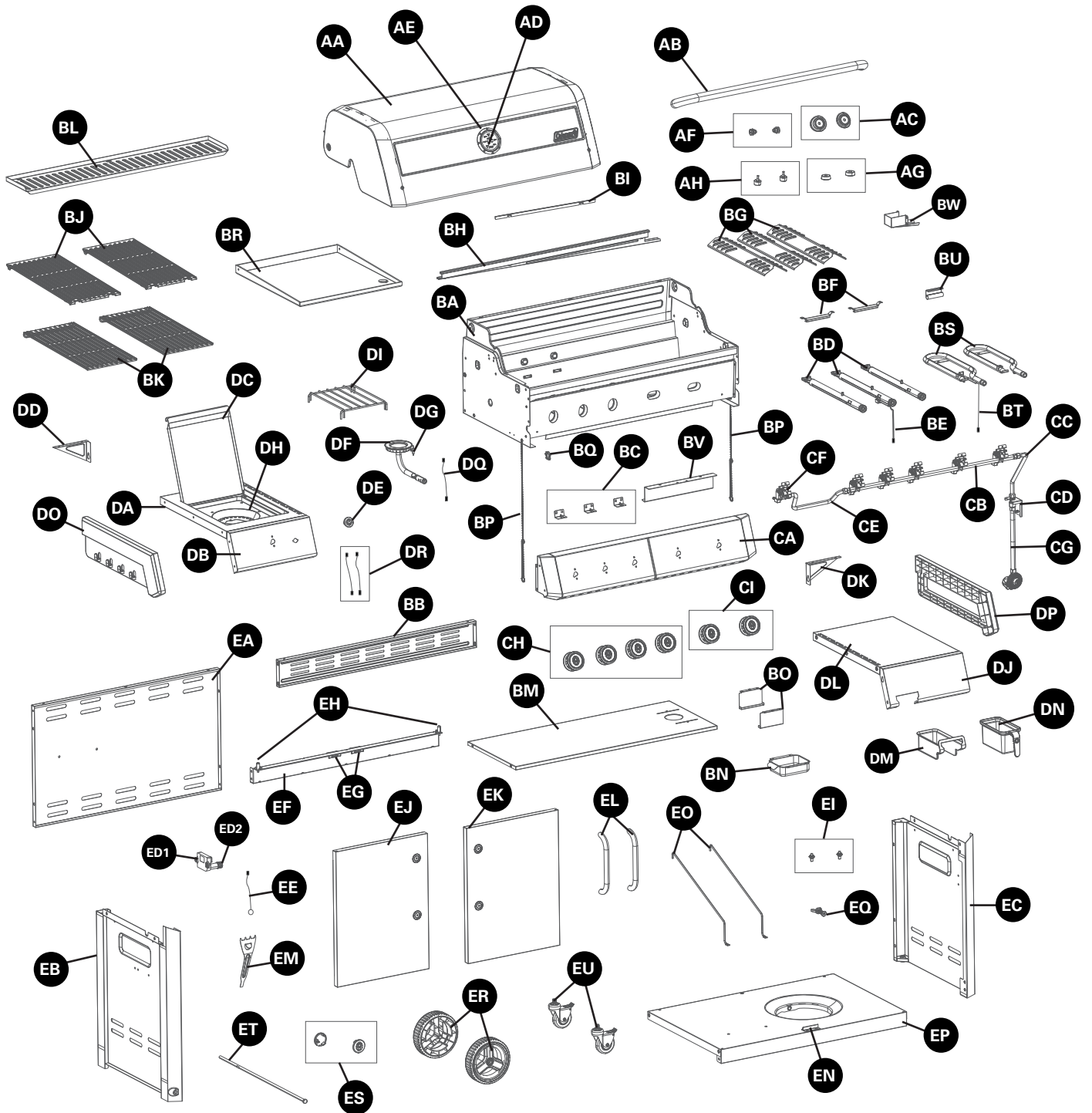
Assemble the barbecue on a flat, clean surface. Barbecue is heavy. Two people are recommended to assemble this barbecue.

# PARTS LIST FOR 085-0345-8 (G62701)

Item No.	Qty.	Description	Part No.
AA	1	Top Lid Assembly	G627-2700-01
AB	1	Lid Handle	G627-0012-01
AC	2	Lid Handle Bezel	G571-0016-01
AD	1	Thermometer	G363-0009-01
AE	1	Thermometer Bezel	G532-0006-01
AF	2	Top Lid Screw	G470-5004-01
AG	2	Lid Bumper, Front	G527-0002-01A
AH	2	Lid Bumper, Rear	G303-0038-01
BA	1	Burner Box Assembly	G627-0300-01
BB	1	Upper Back Panel	G627-0006-01
BC	3	Main Burner Brace, Grill Side	G466-0047-01
BD	3	Main Burner, Grill Side	G532-3500-01
BE	1	Electrode Set, Grill Side	G515-0067-01
BF	2	Carryover Assembly, Grill Side	G627-0009-01
BG	3	Heat Distribution Plate	G532-0016-01
BH	1	Grease Channel	G625-0008-01
BI	1	Grease Channel Shield	G532-0063-01
BJ	2	Upper Cooking Grate	G532-0081-01
BK	2	Lower Cooking Grate	G532-0080-01
BL	1	Warming Rack	G625-0022-H1
BM	1	Heat Shield	G627-0003-01
BN	1	Grease Cup, Burner Box	G571-0032-01
BO	2	Grease Cup Rails	G571-0031-01
BP	2	Match Holder	G608-0019-01
BQ	1	Wire Holder	F801-0023-01
BR	1	Griddle	G627-0500-01
BS	2	Main Burner, Griddle Side	G627-0600-01
BT	1	Electrode Set, Griddle Side	G801-0017-01
BU	1	Carryover Assembly, Griddle Side	G618-1600-01
BV	1	Main Burner Brace, Griddle Side	G627-0005-01
BW	1	Grease Channel, Griddle Side	G627-0010-01
CA	1	Control Panel	G627-0007-01
CB	1	Manifold Assembly	G627-2500-01
CC	1	Metal Hose	G432-1102-01
CD	1	Support Bracket, Regulator	G466-00C3-01
CE	1	Side Stove Metal Hose	G304-0028-01
CF	1	Side Stove Valve	G571-0014-01
CG	1	Regulator	G513-0017-01
CH	4	Control Knob, Grill Side	G571-2900-01
CI	2	Control Knob, Griddle Side	G627-2600-01
DA	1	Side Stove Table, Left	G571-0800-01
DB	1	Side Shelf Fascia, Left	G571-0019-01
DC	1	Side Stove Lid	G571-0034-01

Item No.	Qty.	Description	Part No.
DD	1	Side Shelf Support Brace, Left	G425-5301-02
DE	1	Instastart™ Ignition Button	G532-0082-01
DF	1	Side Stove	G532-5200-01
DG	1	Electrode Set, Side Stove	G515-0039-02
DH	1	Side Stove Drip Pan	G515-0083-02
DI	1	Side Stove Cooking Grate	G501-0077-01
DJ	1	Side Shelf Fascia, Right	G571-0022-01
DK	1	Side Shelf Support Brace, Right	G425-5201-02
DL	1	Side Shelf Table, Right	G571-0021-01
DM	1	Grease Cup Holder - Flare-Free	G627-0014-01
DN	1	Grease Cup - Flare-Free	G627-0015-01
DO	1	Tool Hook Holder	G571-0020-01
DP	1	Towel Holder	G571-0023-01
DQ	1	Electrode Wire, Side Stove	G560-0030-01
DR	2	Ignition Wire	G110-0022-01
EA	1	Lower Back Panel	G627-0002-01
EB	1	Cart Side Panel, Left	G571-0200-01
EC	1	Cart Side Panel, Right	G627-0200-01
ED1	1	Electronic Ignition Assembly	G545-0060-01
ED2	1	Electronic Ignition Cover	G545-0049-02
EE	1	Ground Wire	G602-0024-01
EF	1	Door Support Rail	G627-2100-01
EG	2	Door Magnet Assembly	G527-0037-01
EH	2	Door Pin	G362-0052-02
EI	2	Fixed Door Pin	G411-0053-01
EJ	1	Door Assembly, Left	G627-0016-01
EK	1	Door Assembly, Right	G627-0018-01
EL	2	Door Handle	G517-0011-01
EM	1	Cleaning tool	G532-0083-01
EN	1	Door Brace	G545-0001-01
EO	2	Tank Exclusion Wire	G545-0005-01
EP	1	Bottom Panel	G627-0100-01
EQ	1	Tank Screw	G505-0047-01
ER	2	Wheel	G571-2100-01
ES	2	Wheel Cap	G571-0004-01
ET	1	Wheel Axle	G571-0005-01
EU	2	Locking Castor	G491-0002-01
F1	1	Hardware Pack	G627-B001-01
F2	1	Assembly Manual	G627-M001-01
F3	1	Safe Use and Care Manual	G627-M001-02

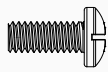
# EXPLODED DIAGRAM FOR 085-0345-8 (G62701)



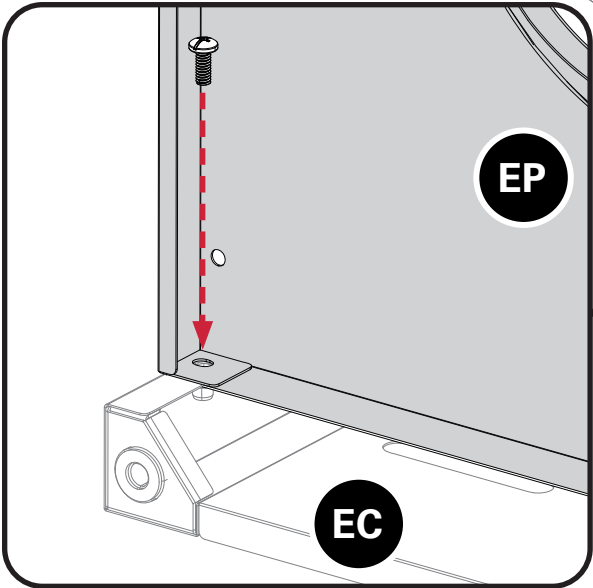
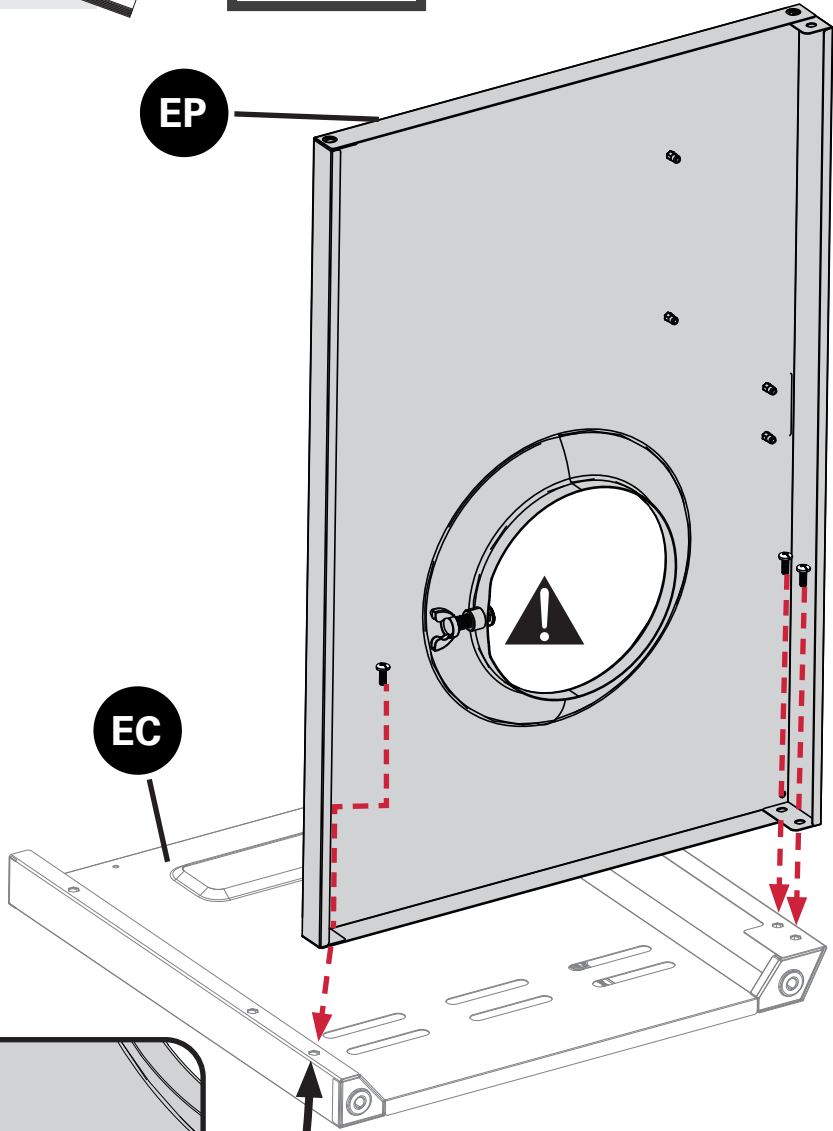
Extras		
Hardware Pack F1	Assembly Manual F2	Safe Use & Care Manual F3

# ASSEMBLY INSTRUCTIONS

**1**

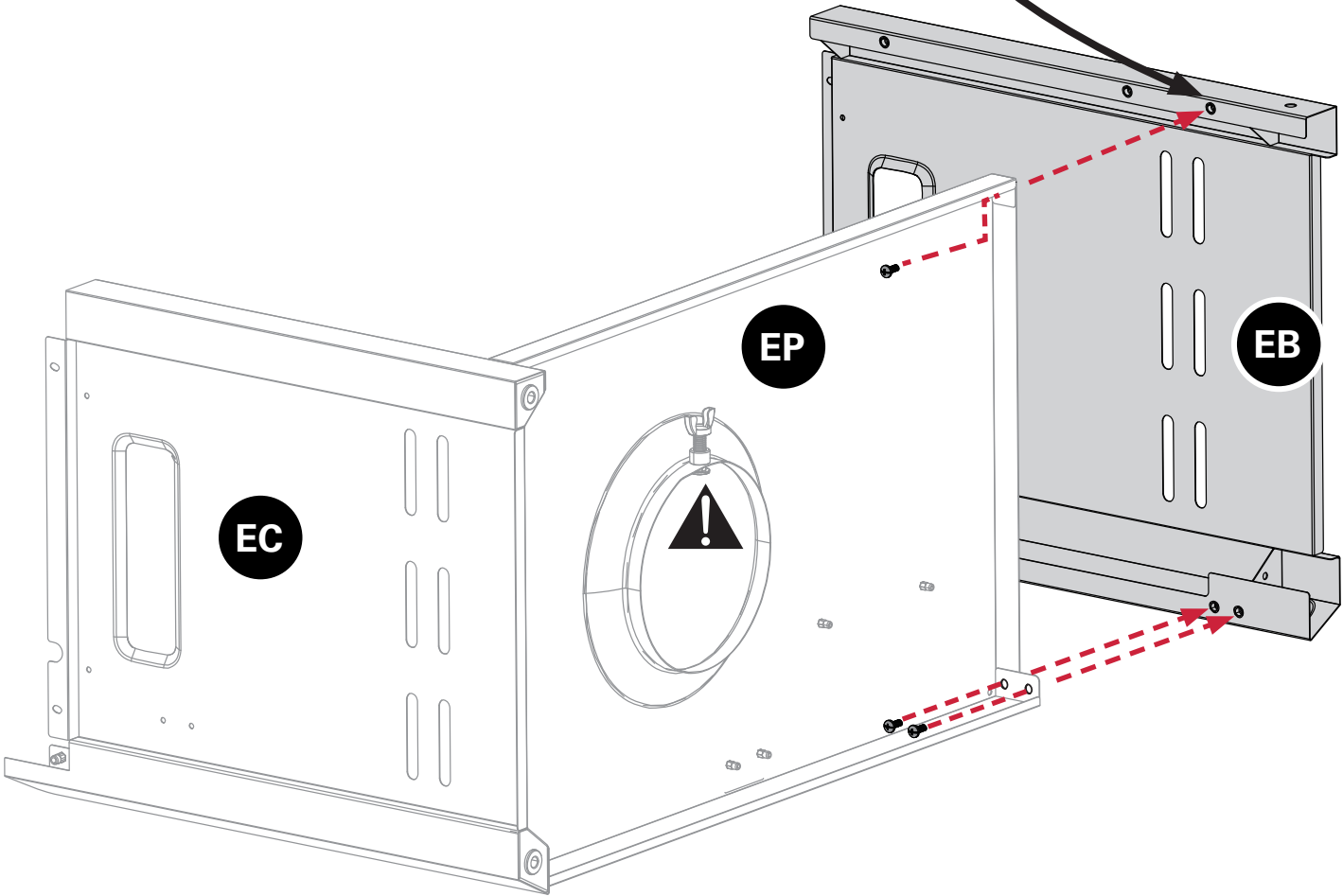
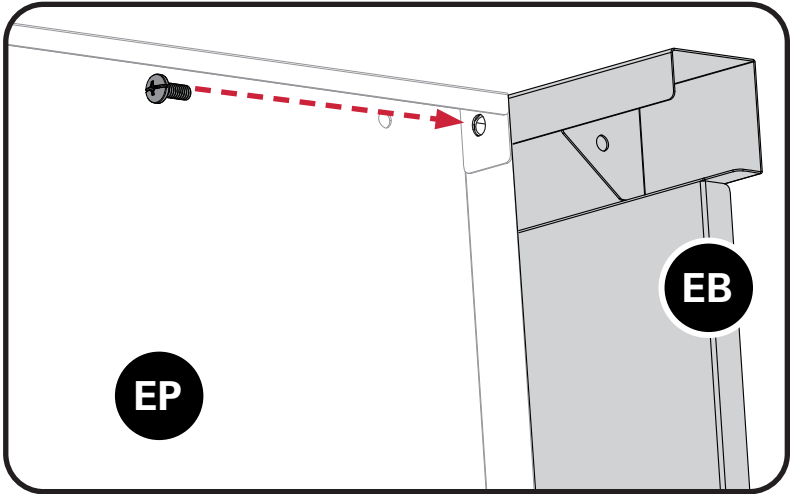
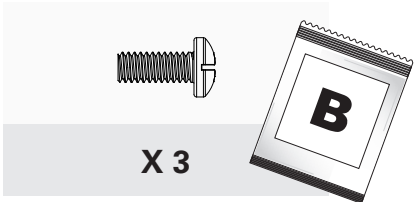


X 3



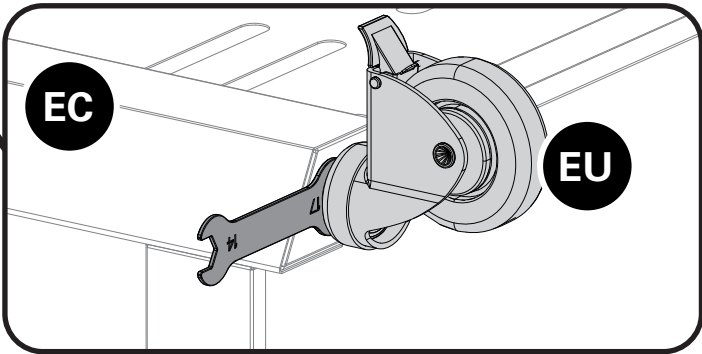
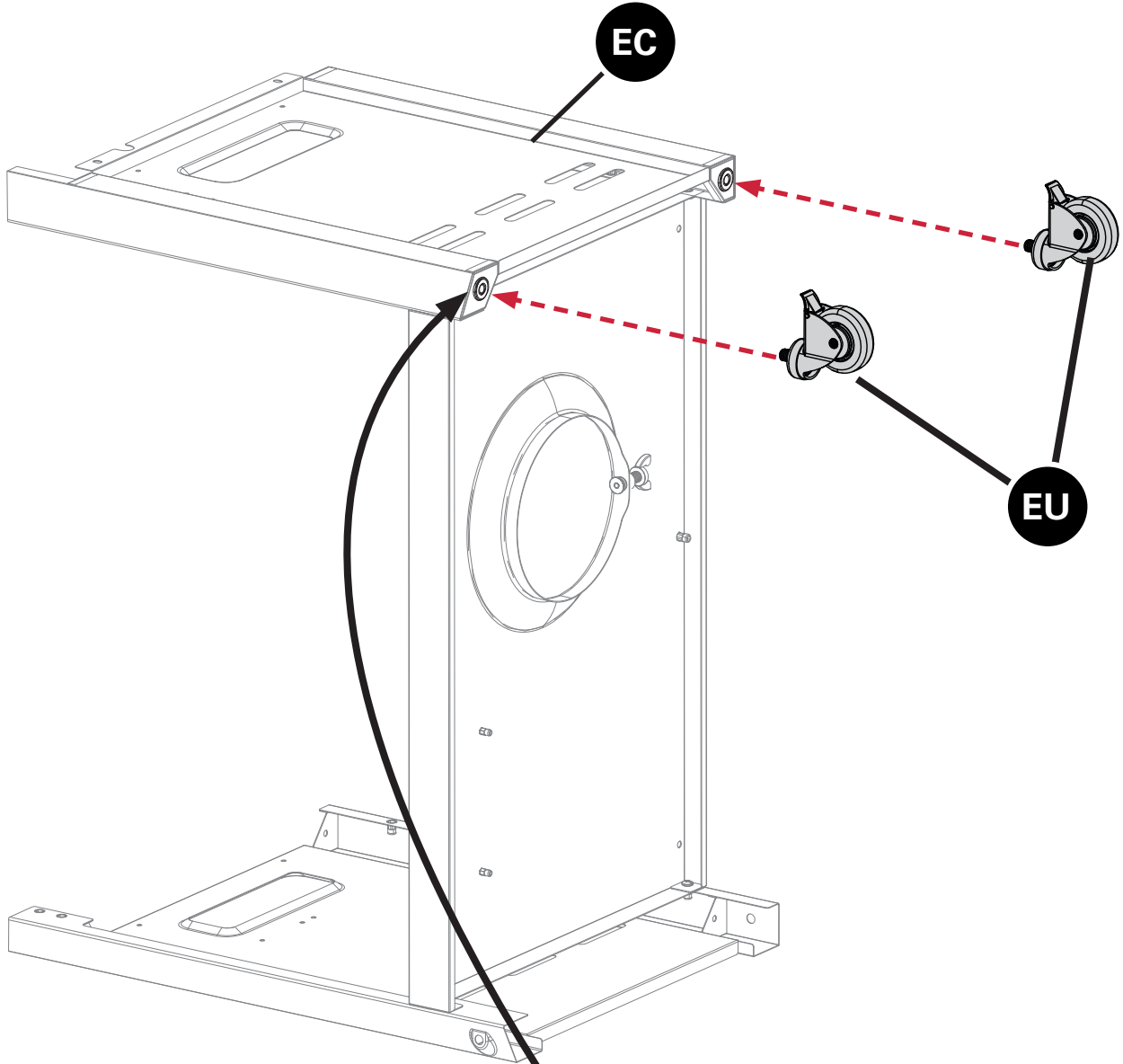
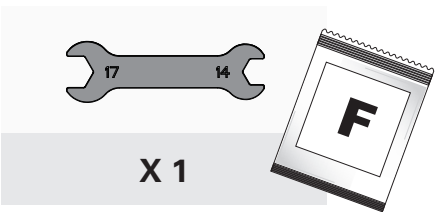
# ASSEMBLY INSTRUCTIONS

2



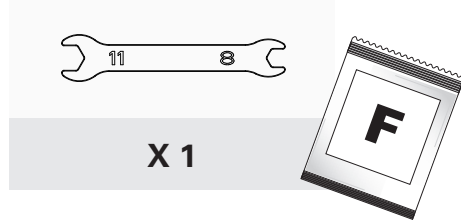
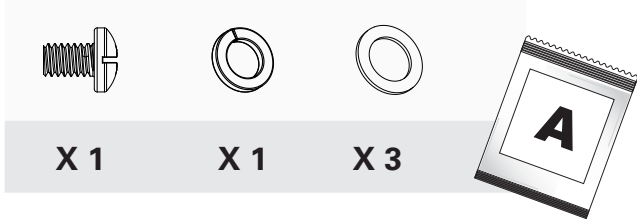
# ASSEMBLY INSTRUCTIONS

**3**

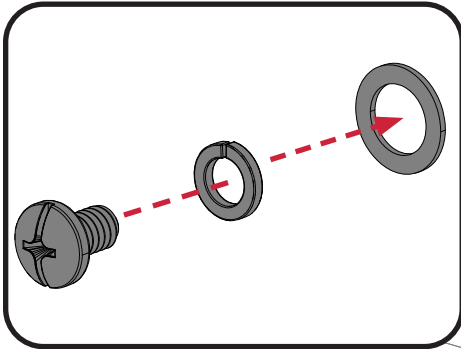


# ASSEMBLY INSTRUCTIONS

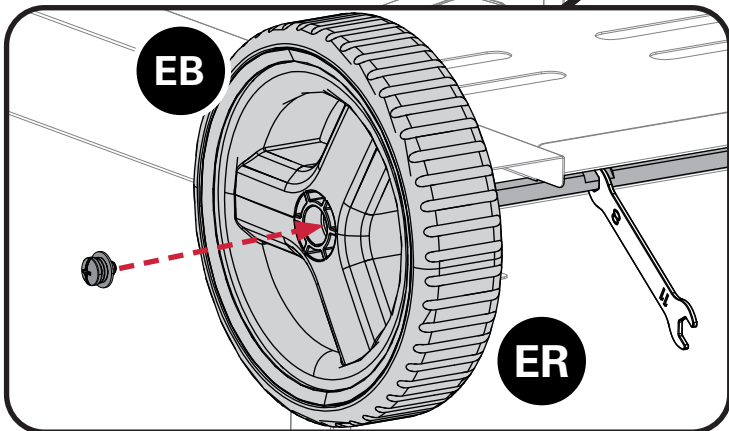
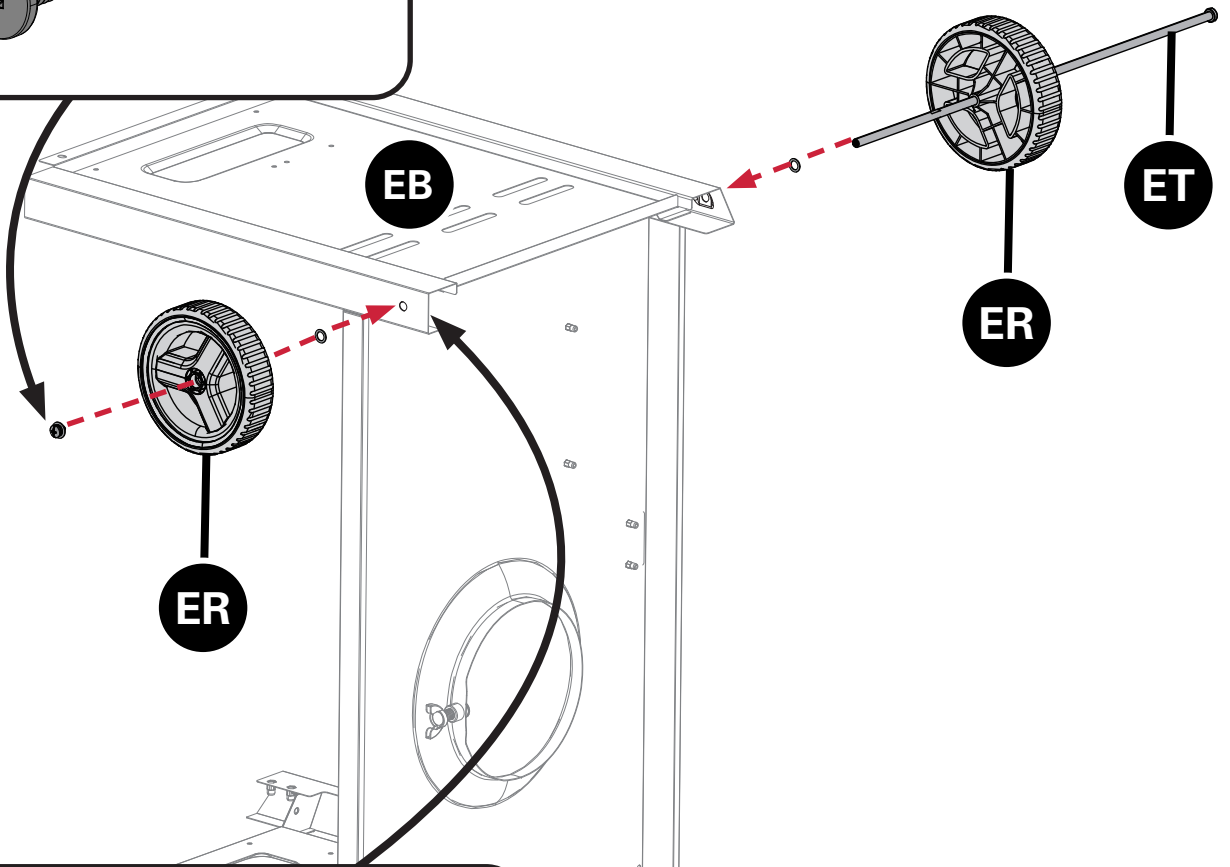
**4**



**A.**



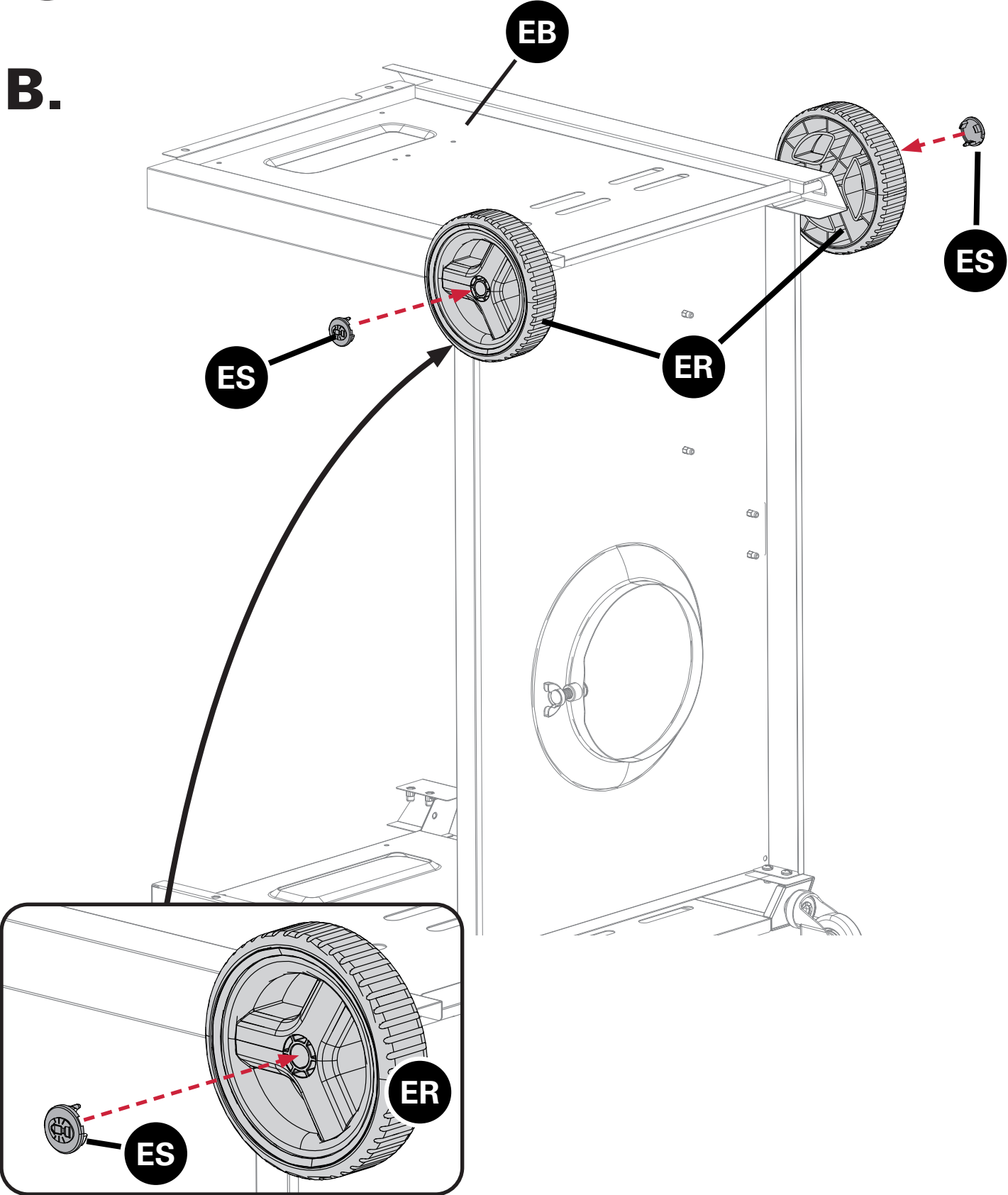
**Install lock washer and wheel washer on screw, then secure to wheel**



# ASSEMBLY INSTRUCTIONS

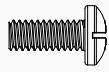
4

B.

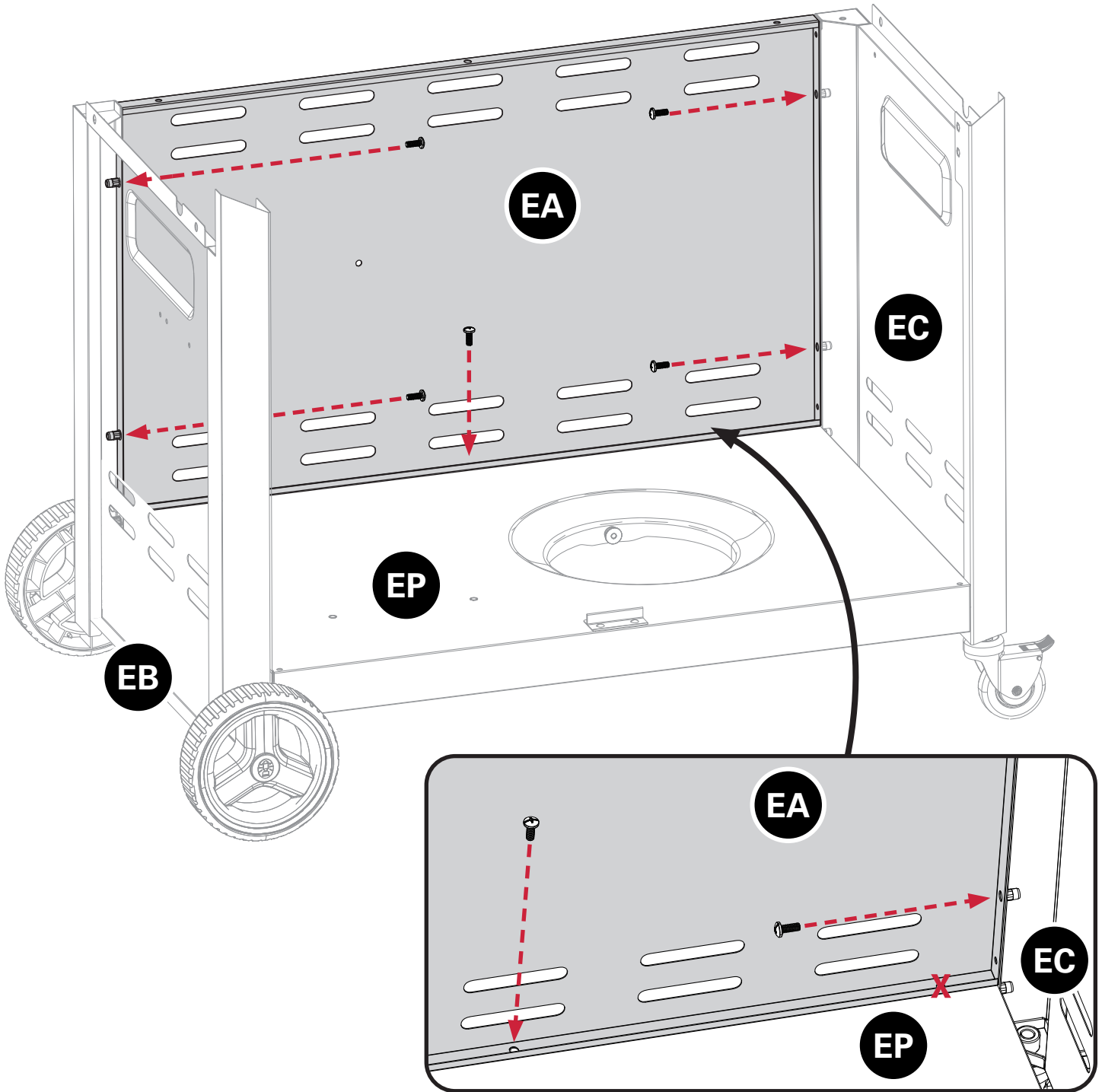


# ASSEMBLY INSTRUCTIONS

**5**

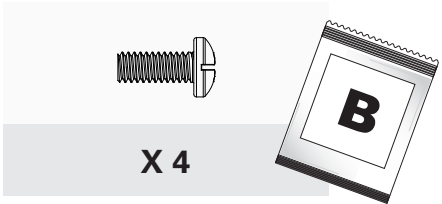


X 5

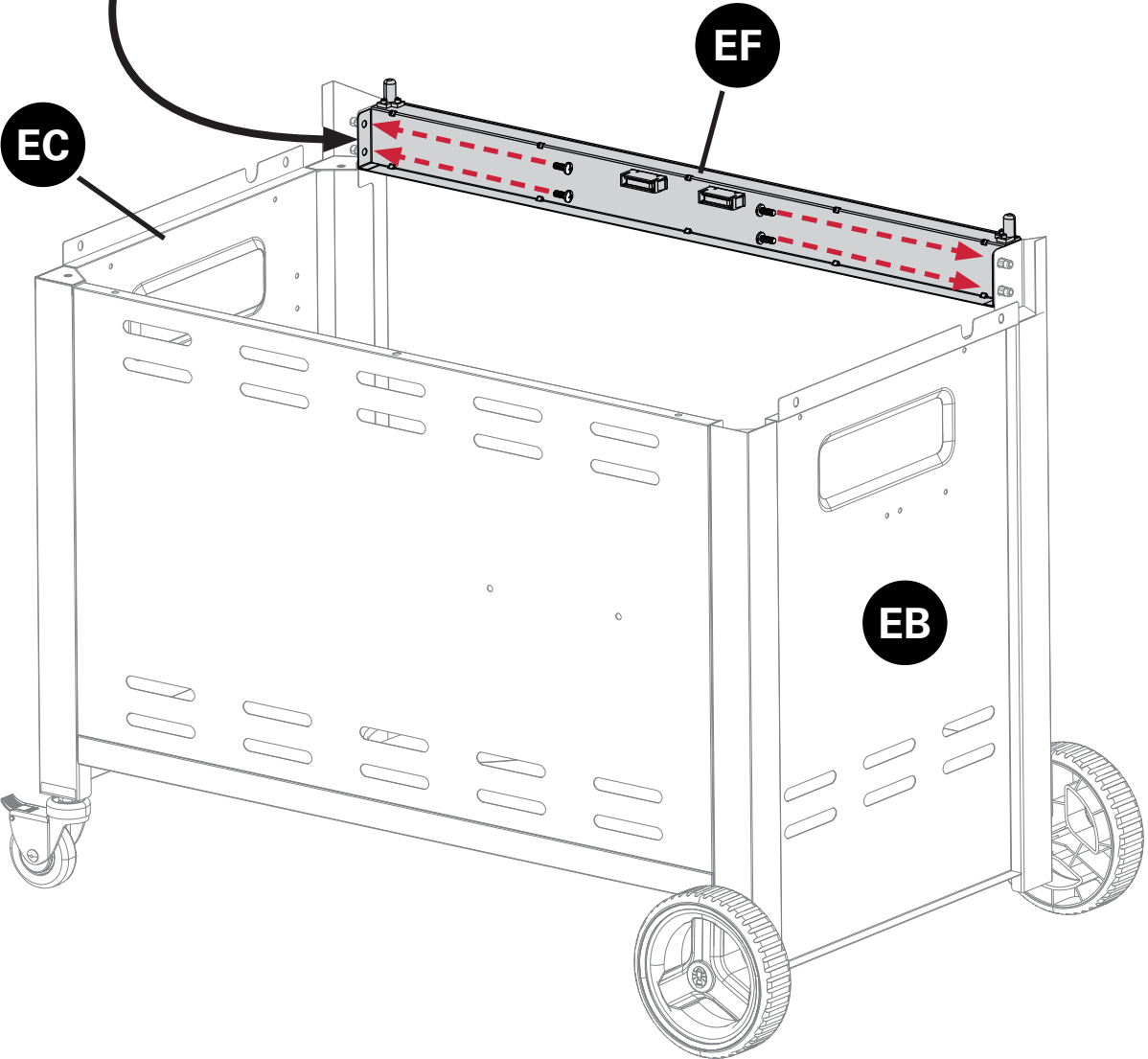
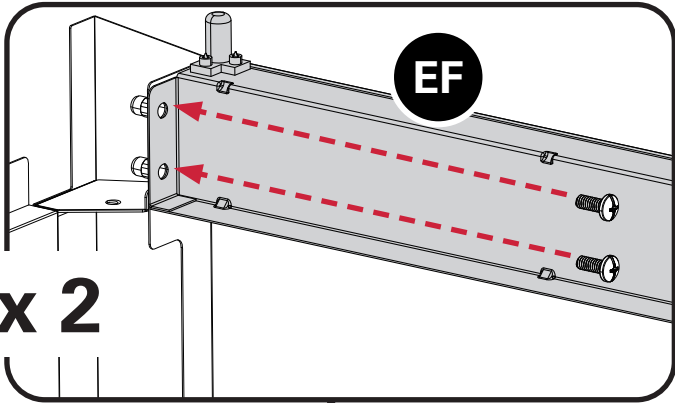


# ASSEMBLY INSTRUCTIONS

6



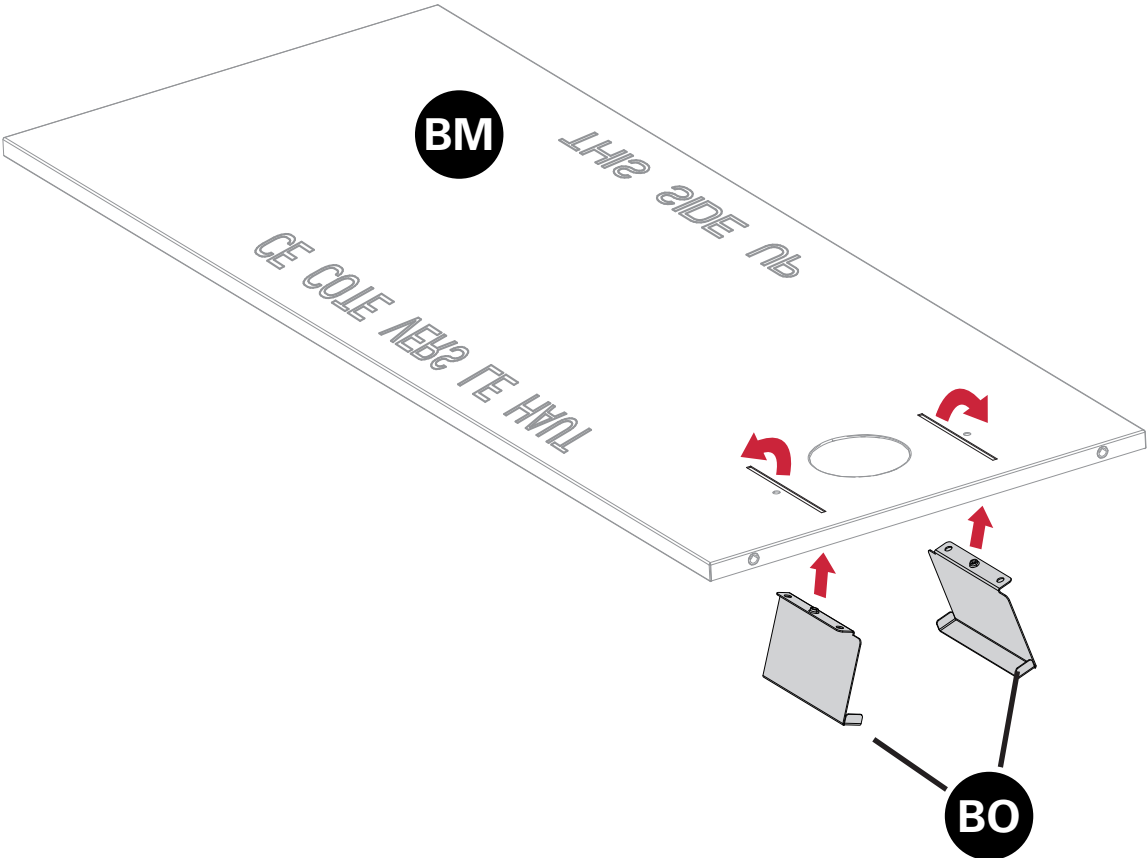
Back View



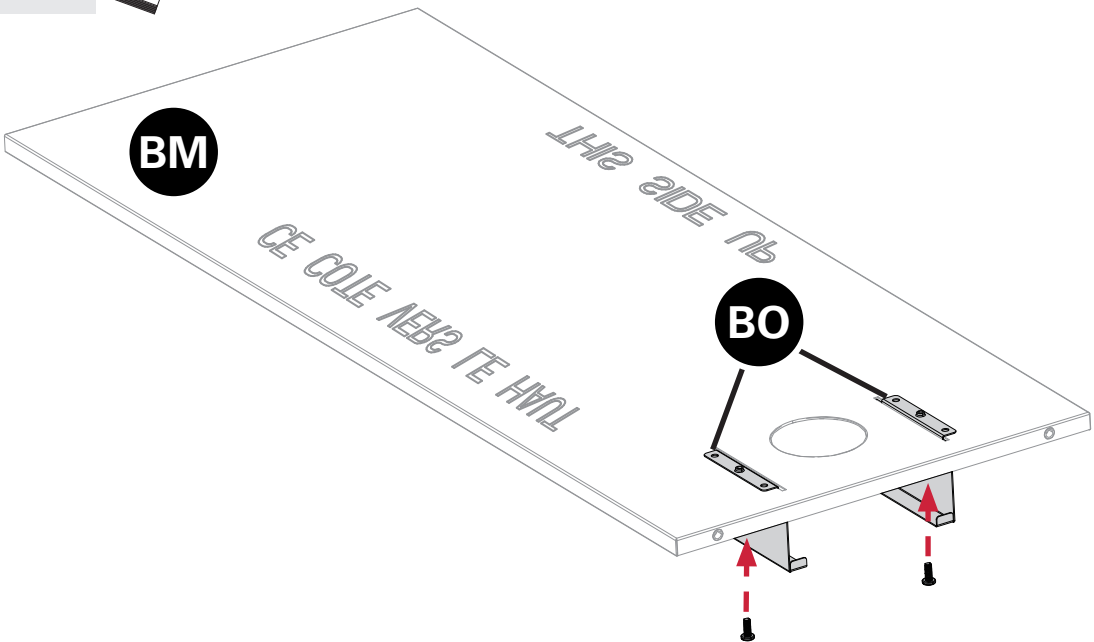
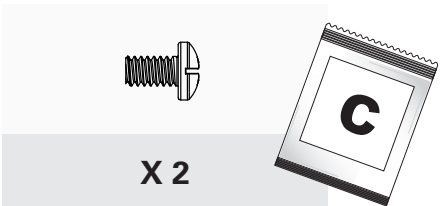
# ASSEMBLY INSTRUCTIONS

7

A.

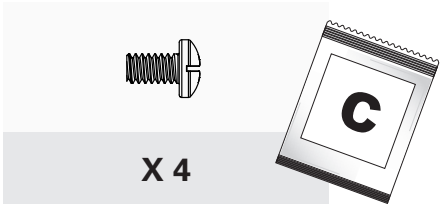


B.



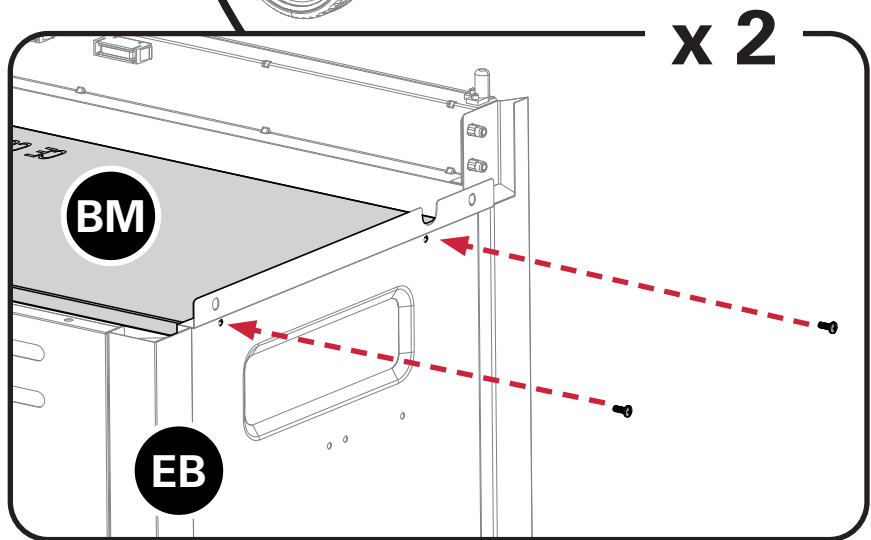
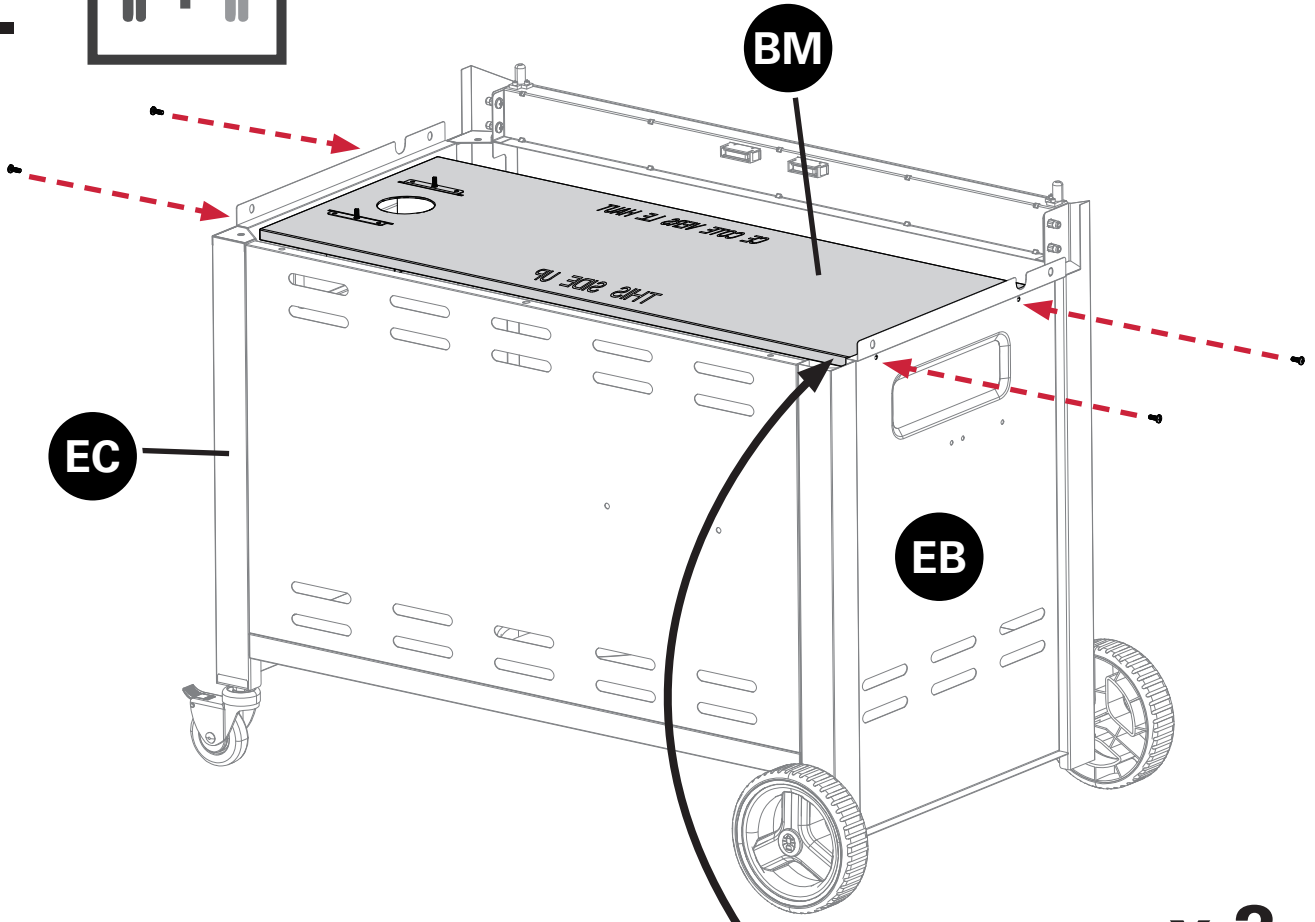
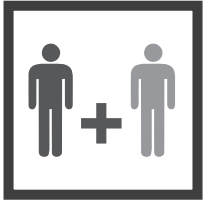
# ASSEMBLY INSTRUCTIONS

7



Back View

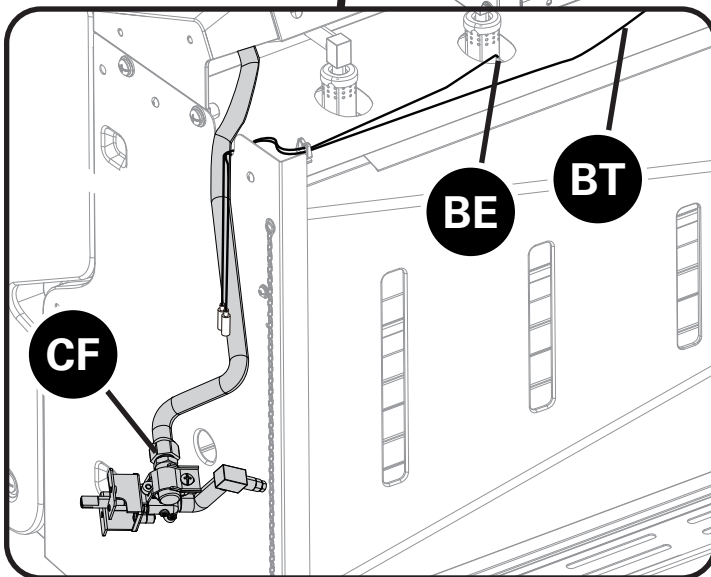
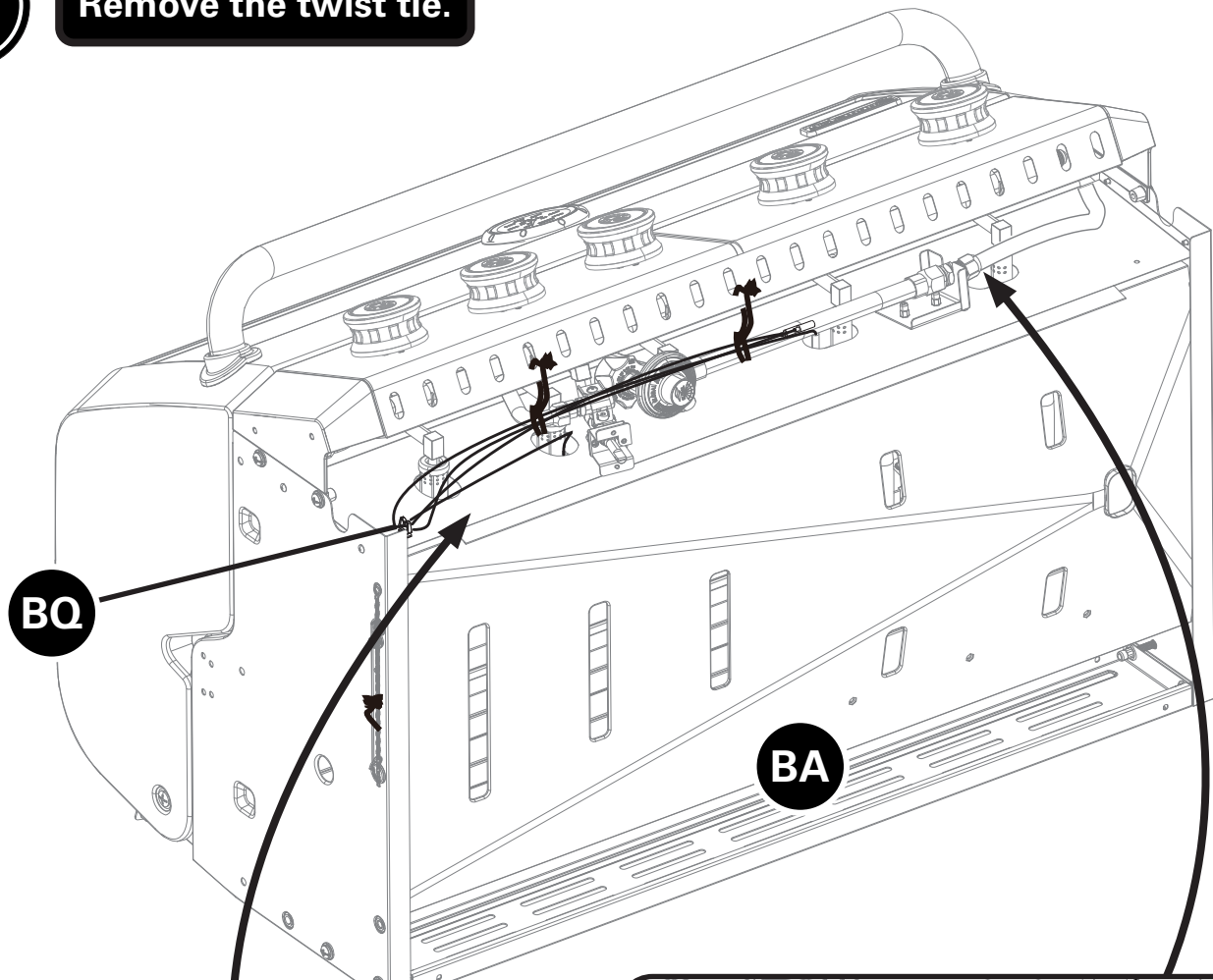
C.



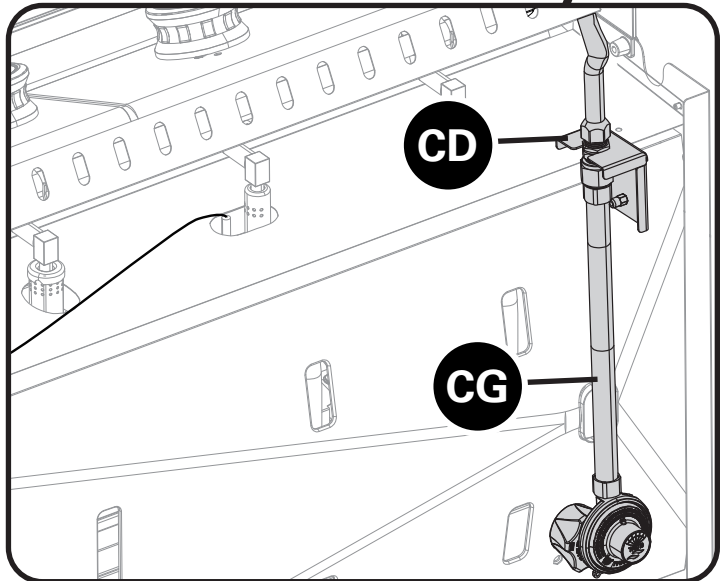
# ASSEMBLY INSTRUCTIONS

8

Remove the twist tie.



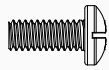
Move the Side Stove Valve (CF), Grill Side Electrode Set (BE), and Griddle Side Electrode Set (BT) from under the control panel to the left of the burner box.



Move Regulator (CG) and Support Bracket (CD) to the right of the burner box.

# ASSEMBLY INSTRUCTIONS

9



X 4

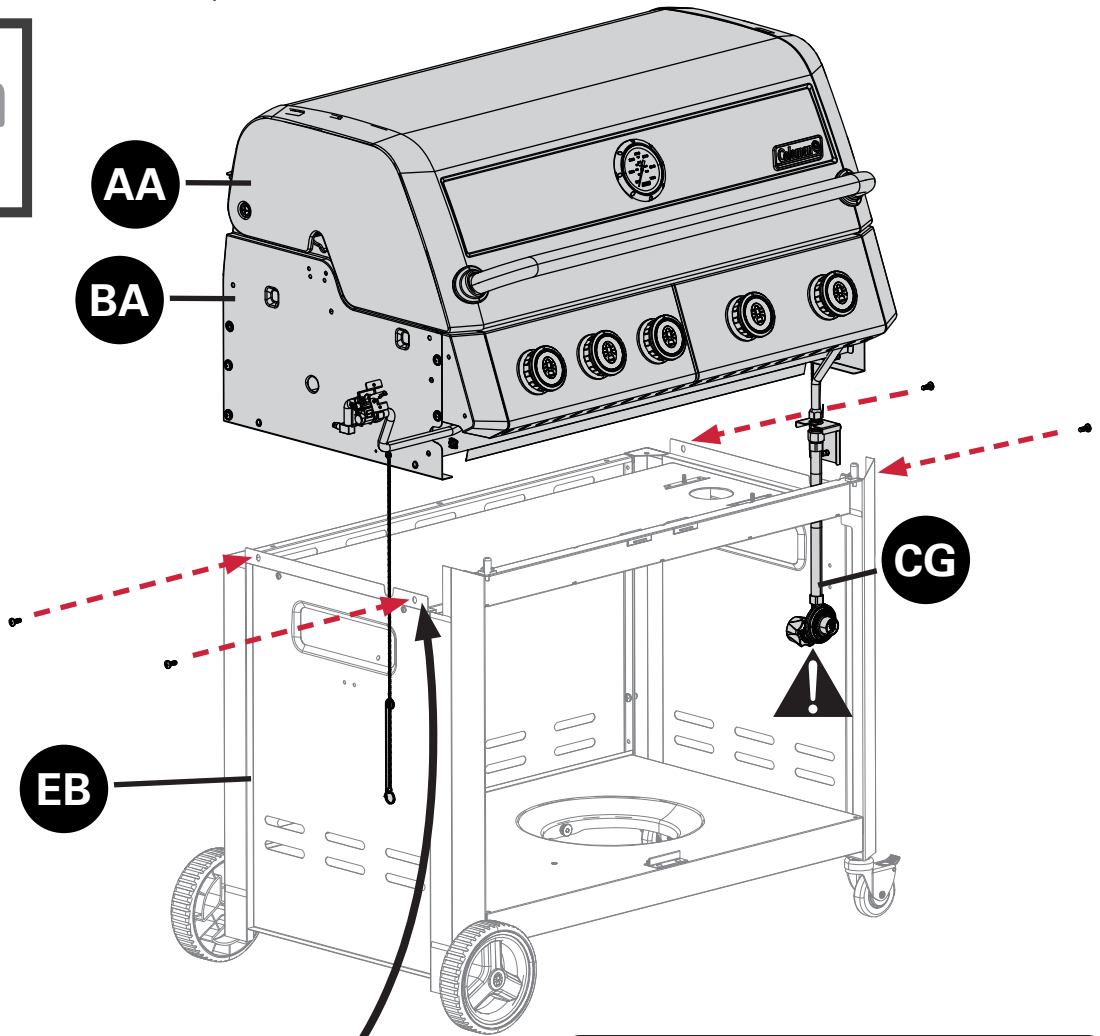
B

A.

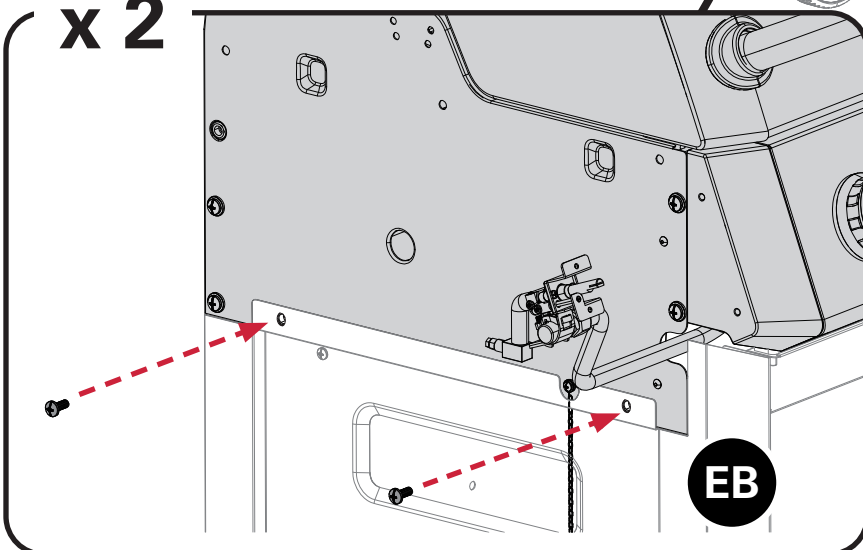


AA

BA



x 2



- **CAUTION:** Position the Side Stove Valve (CF), Side Stove Electrode Wire (DQ), and two Ignition Wires (DR) to the left side of the burner box.
- **CAUTION:** Position the Regulator (CG) and Support Bracket (CD) inside the barbecue cart.

# ASSEMBLY INSTRUCTIONS

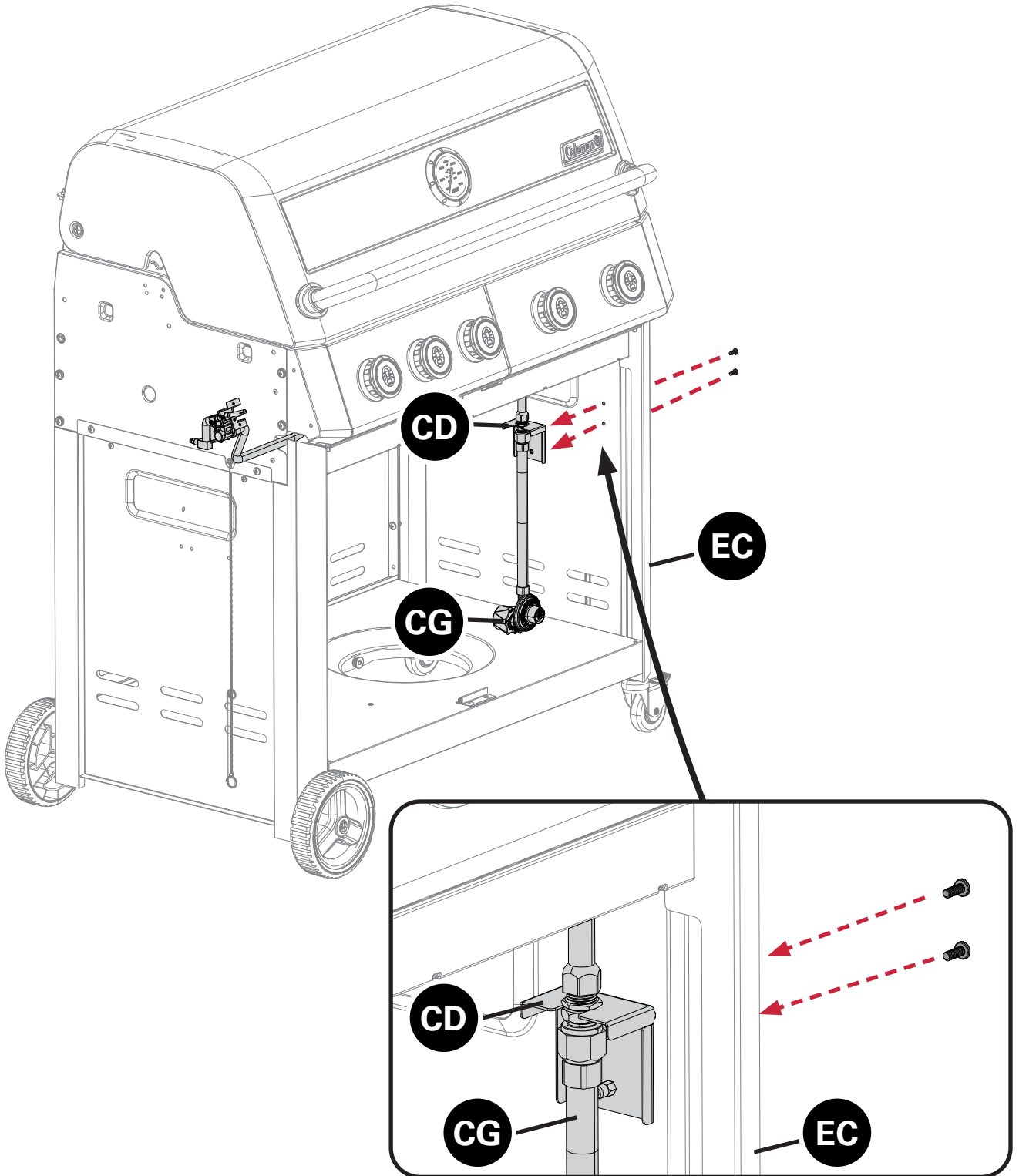
9



X 2

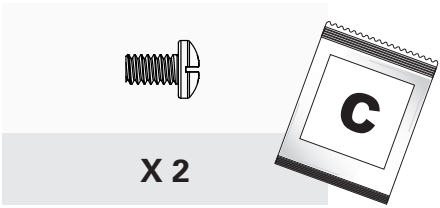


B.

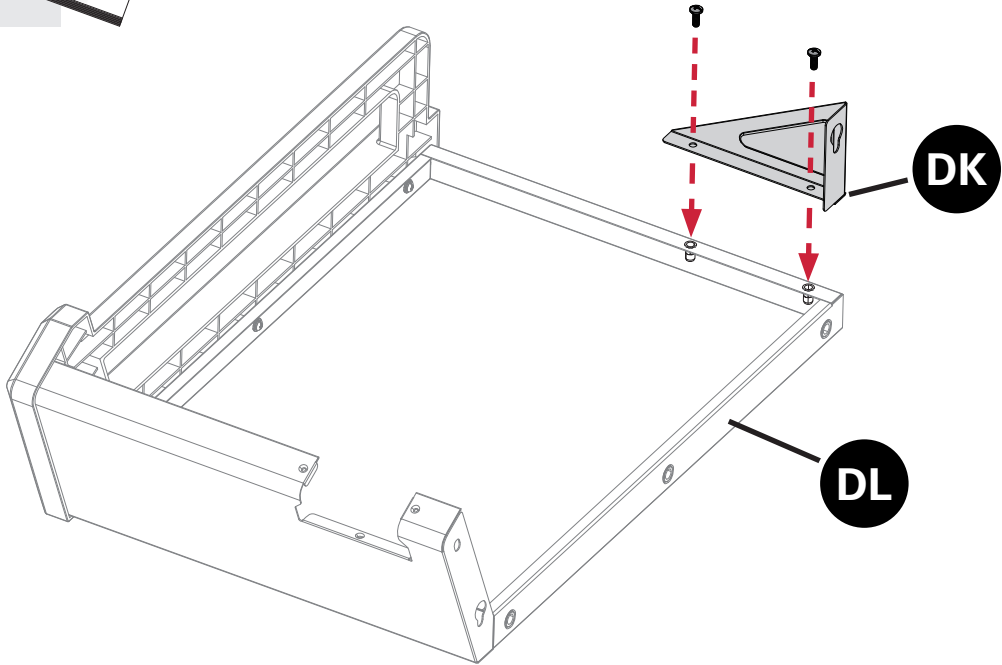


# ASSEMBLY INSTRUCTIONS

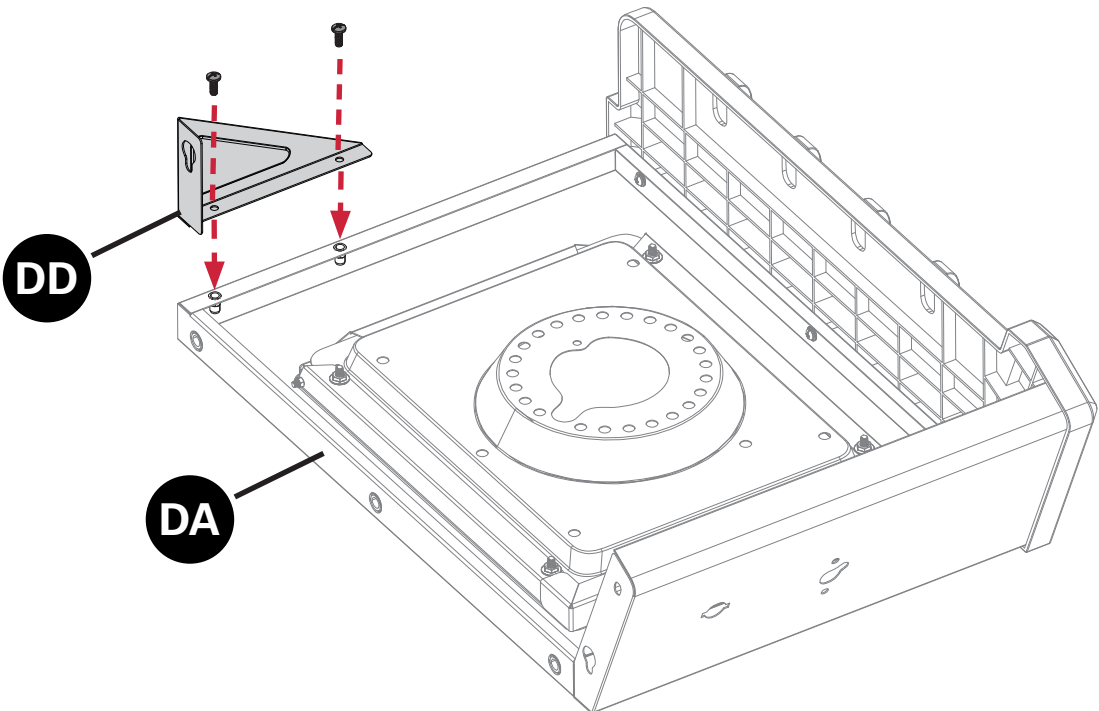
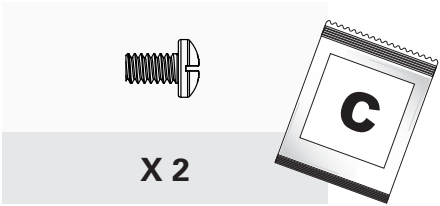
**10**



**A.**

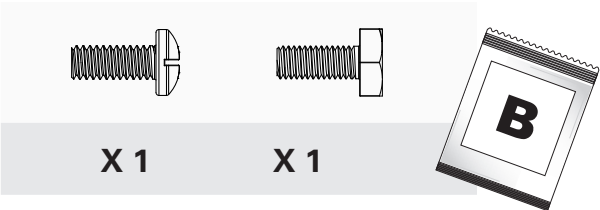


**B.**

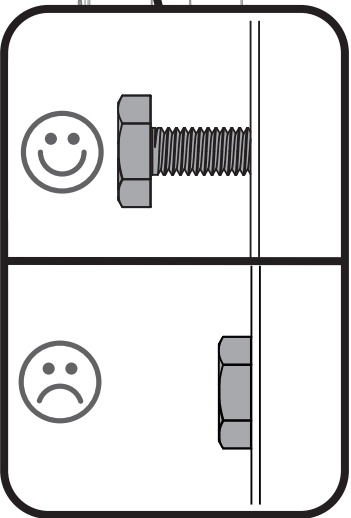
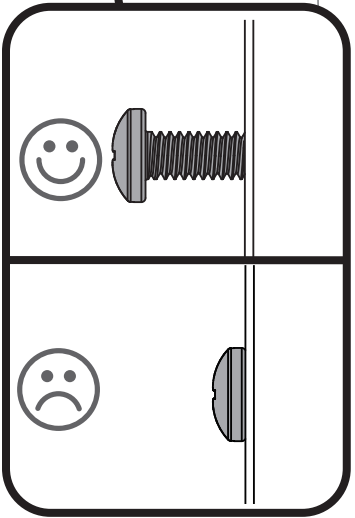
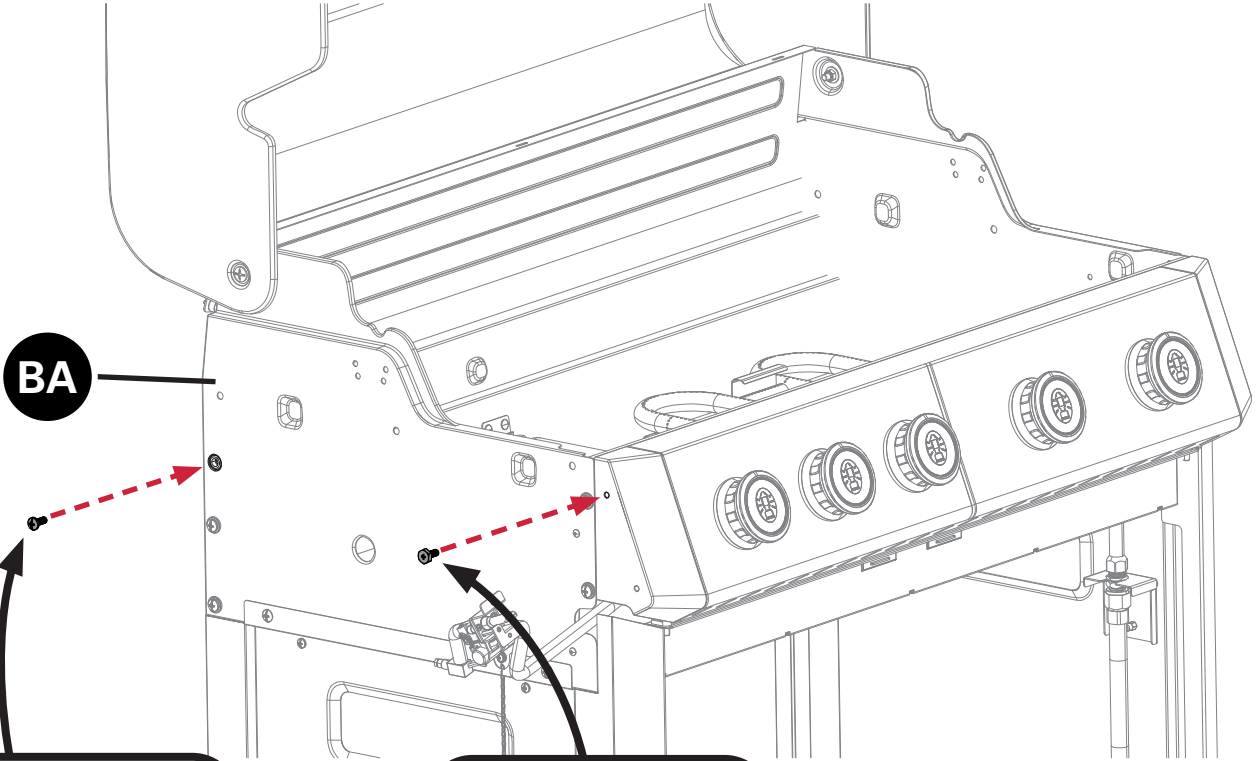


# ASSEMBLY INSTRUCTIONS

**11**



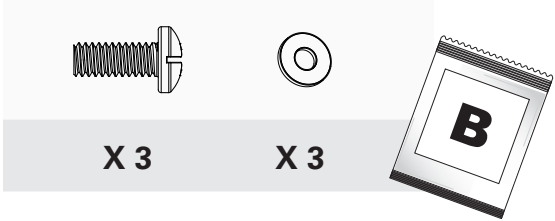
**A.**



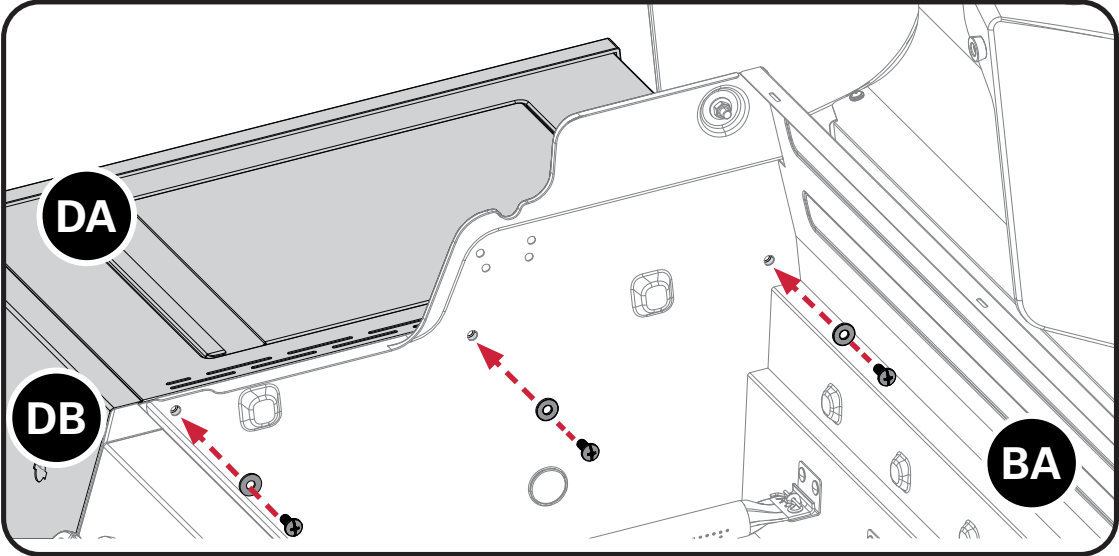
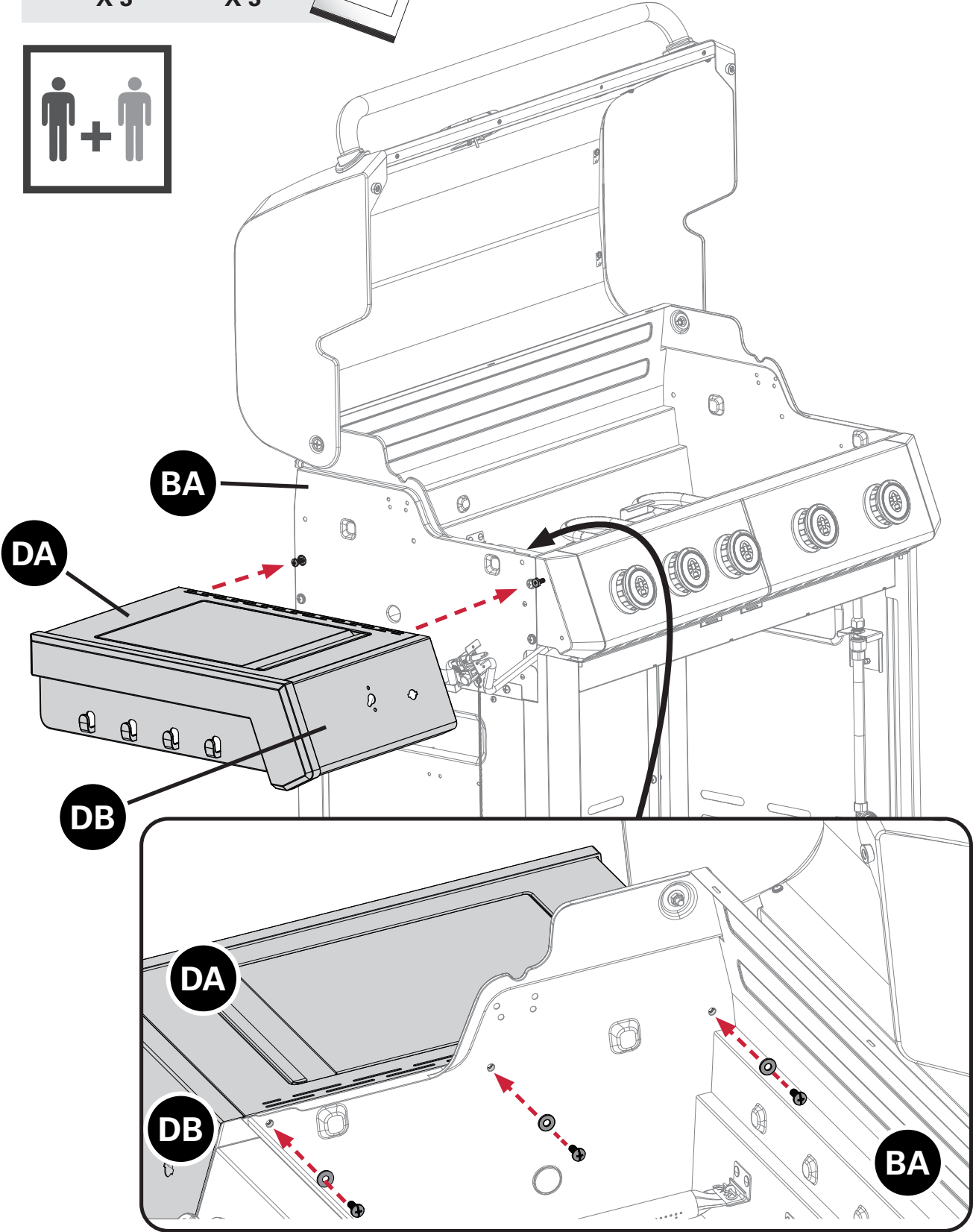
**Don't tighten the screws.**

# ASSEMBLY INSTRUCTIONS

**11**

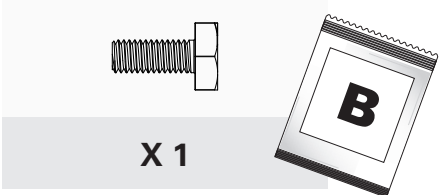


**B.**

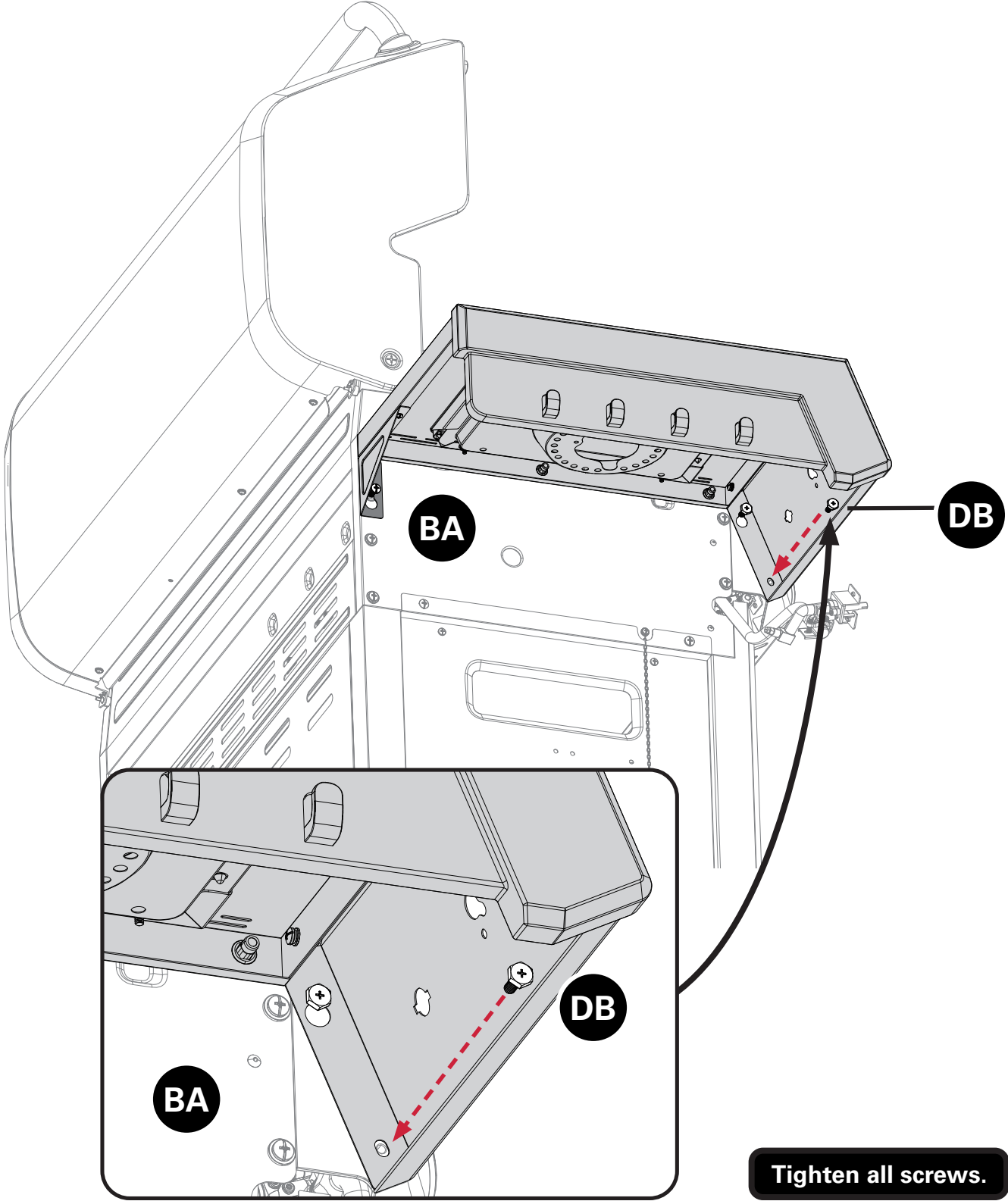


# ASSEMBLY INSTRUCTIONS

**11**



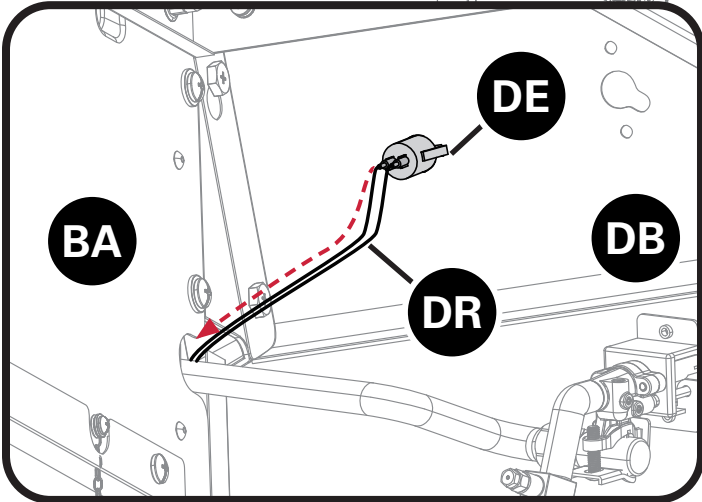
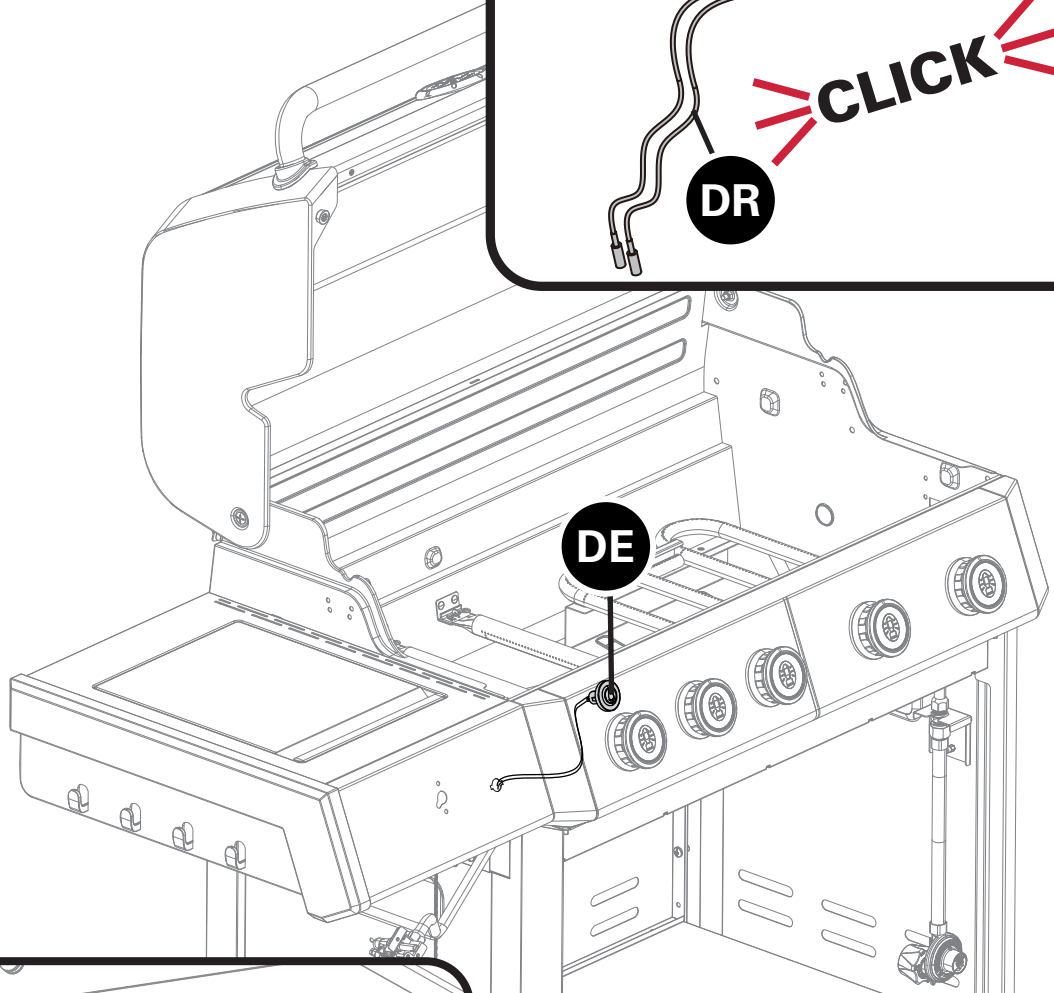
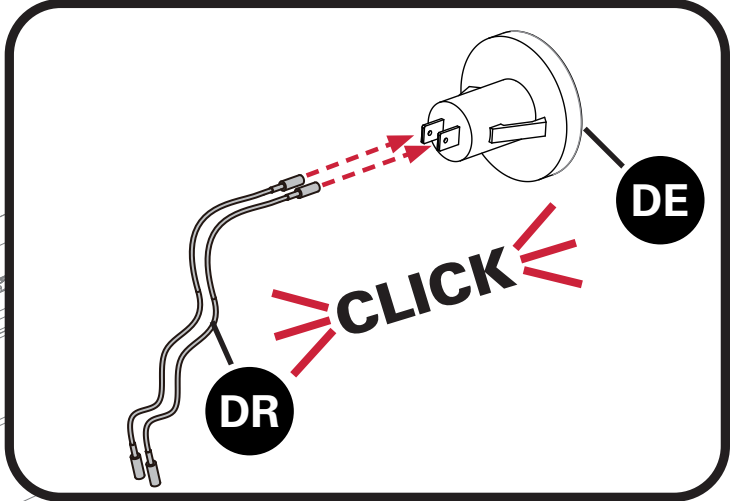
**C.**



# ASSEMBLY INSTRUCTIONS

**11**

**D.**

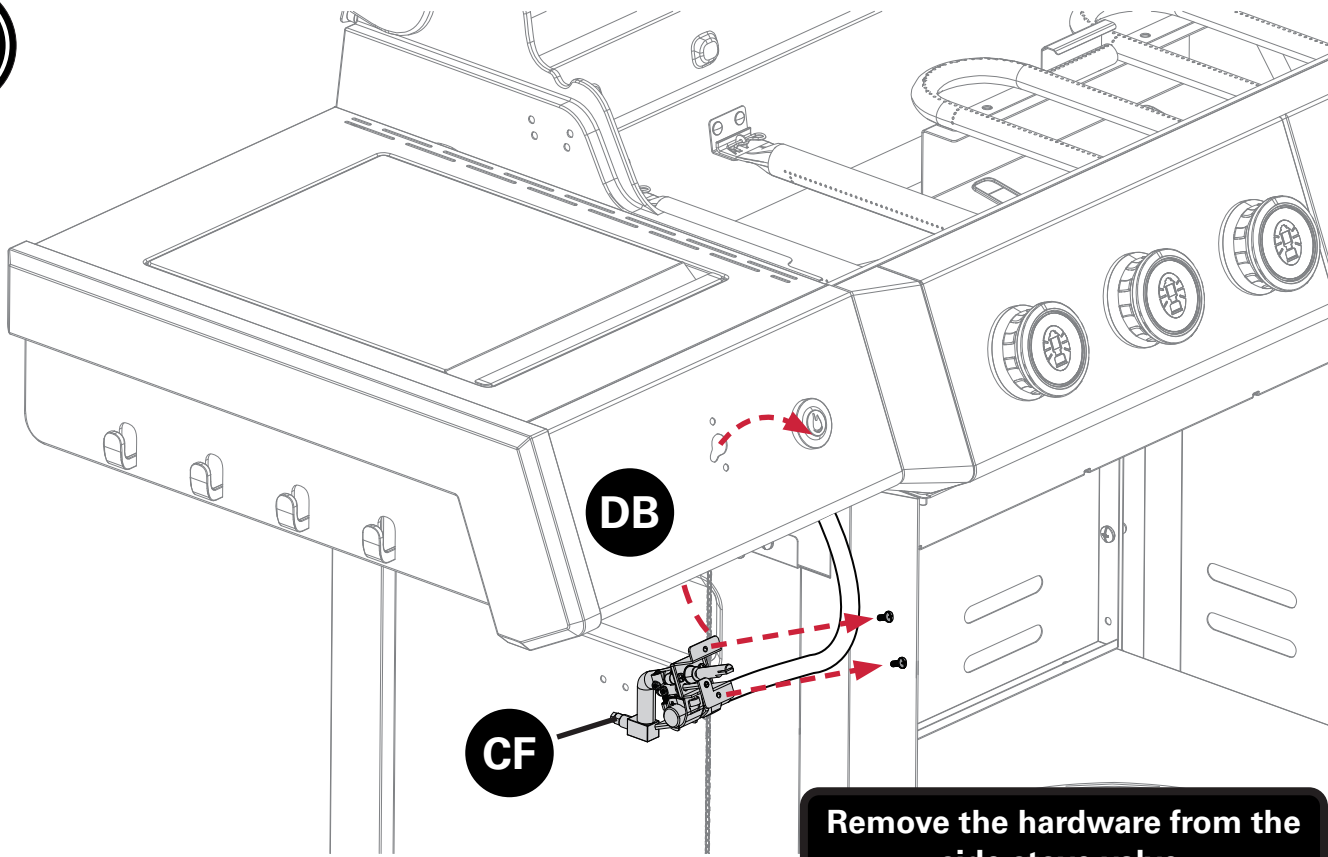


**Attention: Feed the ignition button wires through the opening in the burner box.**

# ASSEMBLY INSTRUCTIONS

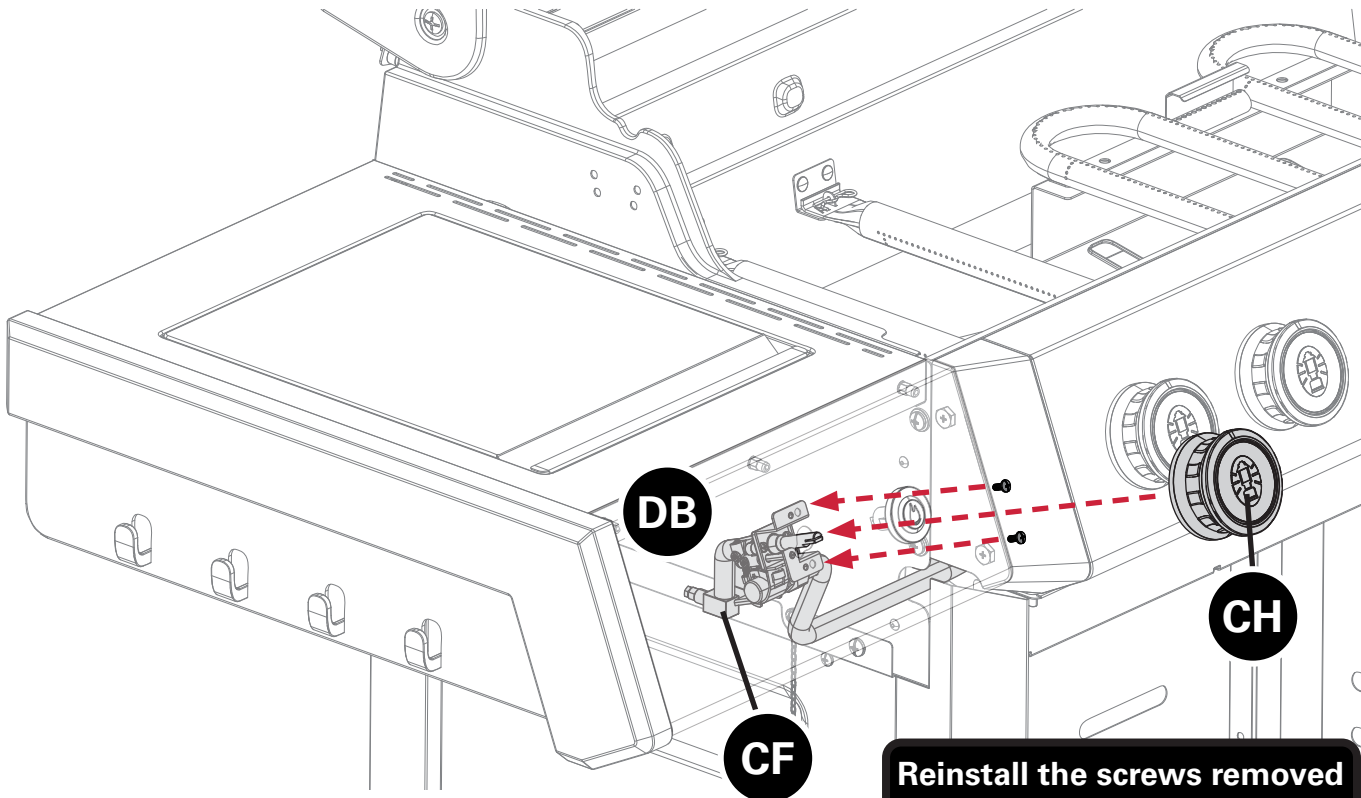
**11**

**E.**



**Remove the hardware from the side stove valve.**

**F.**



**Reinstall the screws removed in Step 11E.**

# ASSEMBLY INSTRUCTIONS

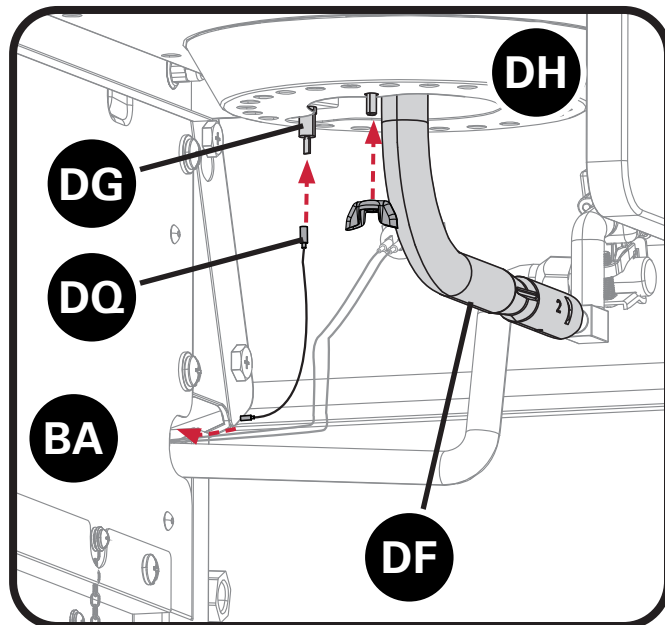
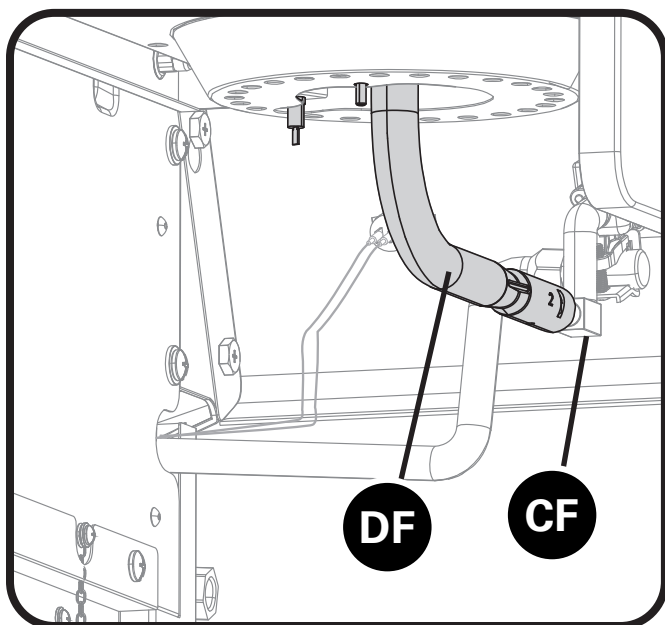
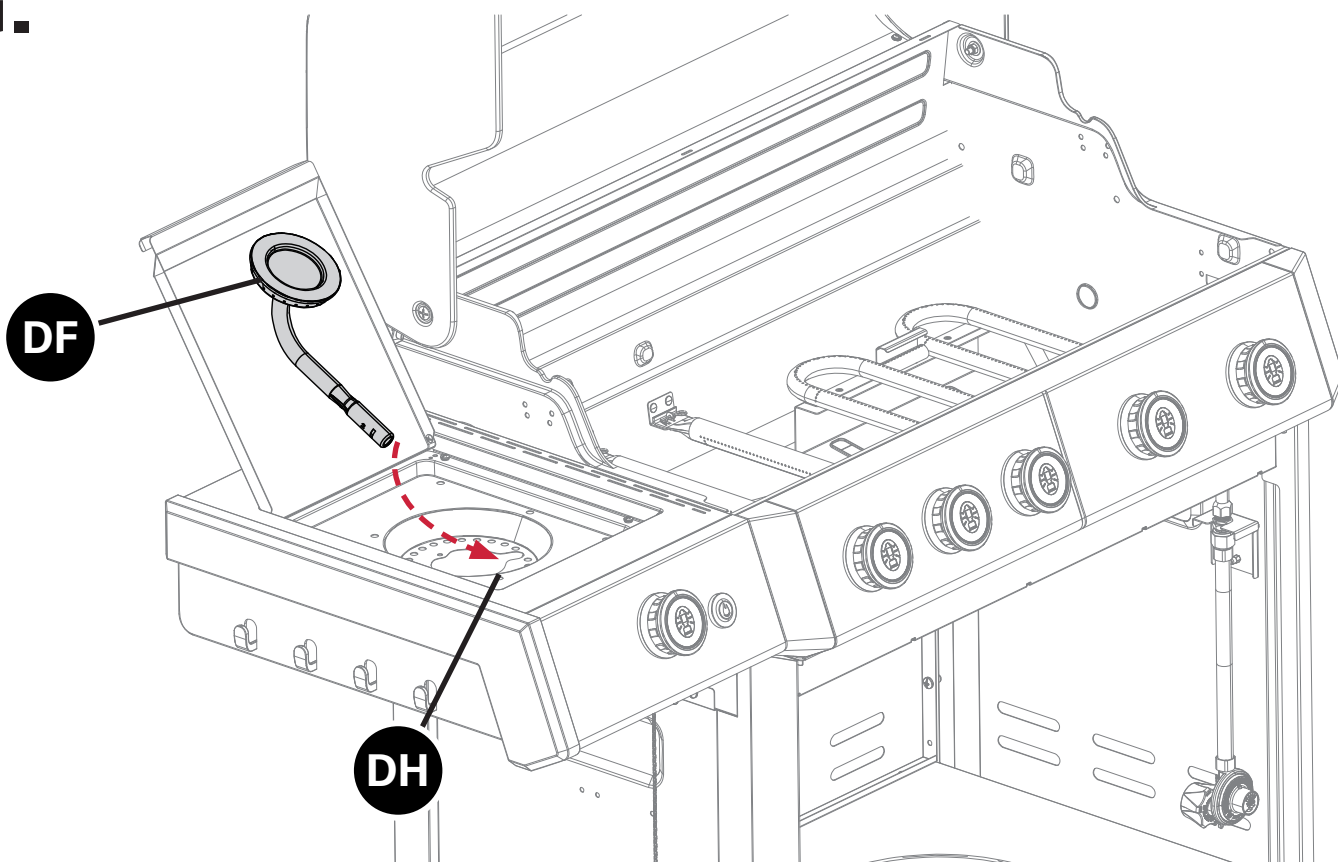
**11**



X 1



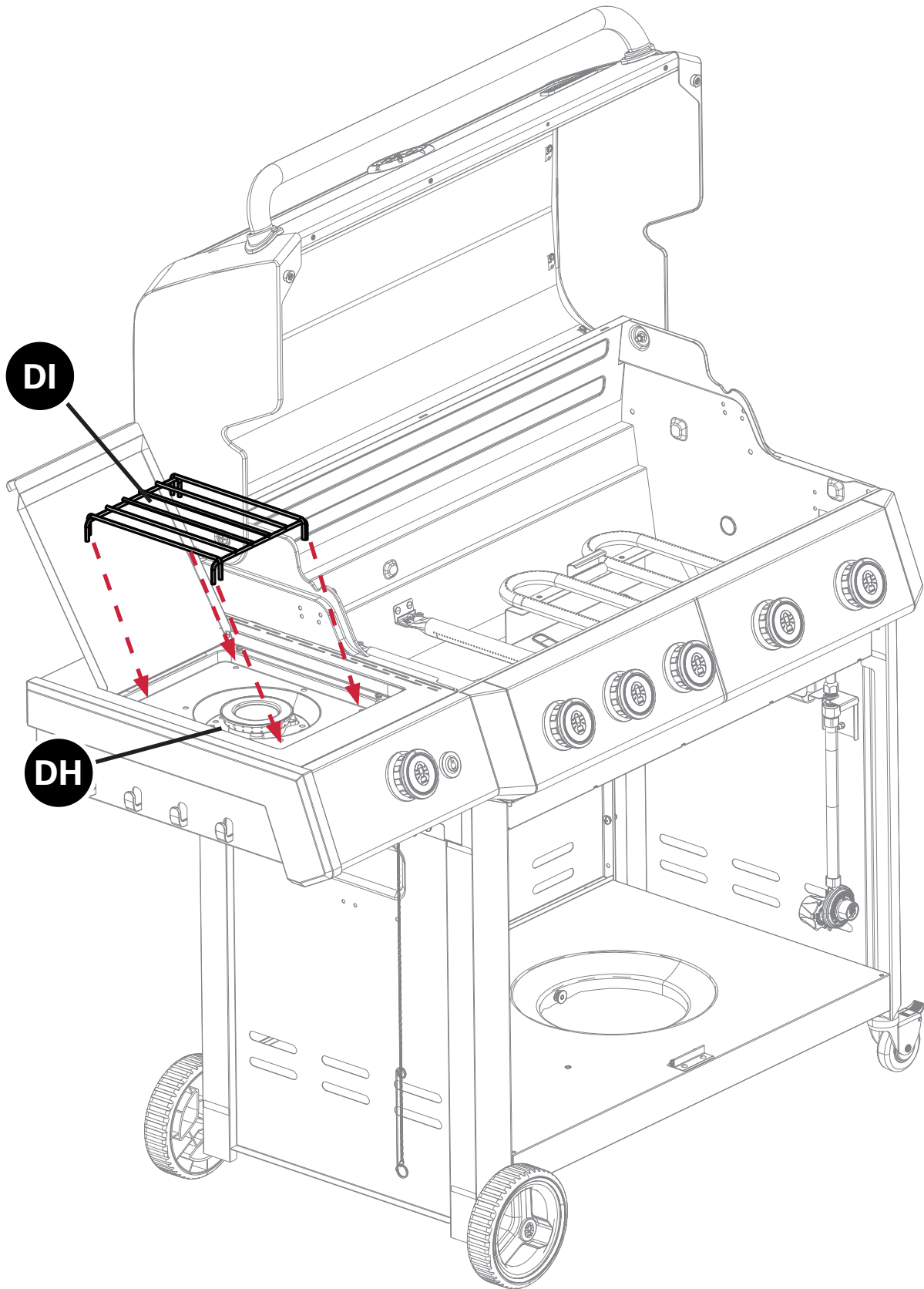
**G.**



# ASSEMBLY INSTRUCTIONS


11

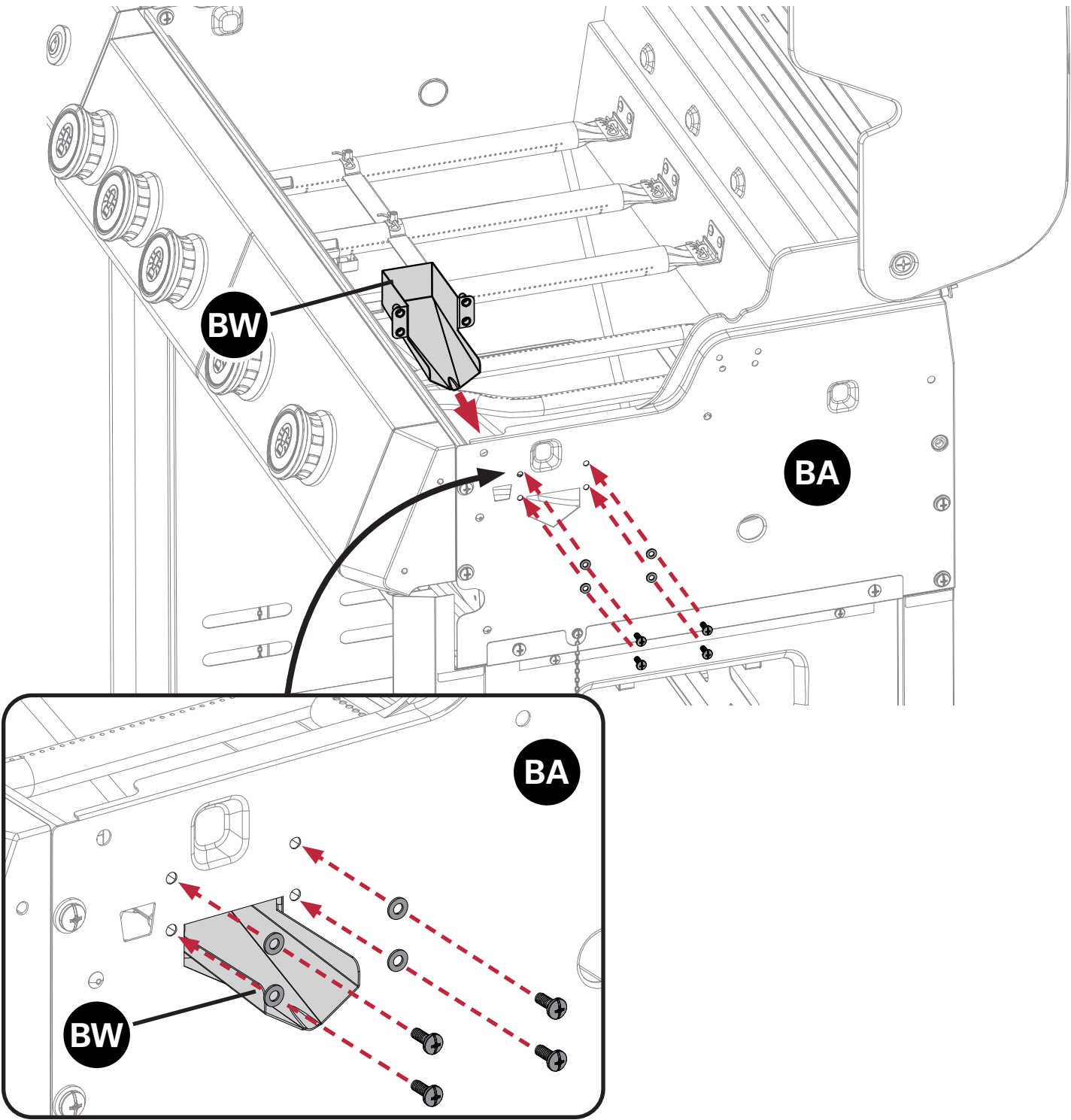
H.



# ASSEMBLY INSTRUCTIONS

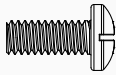
**12**

		
X 4	X 4	

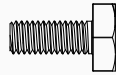


# ASSEMBLY INSTRUCTIONS

**13**



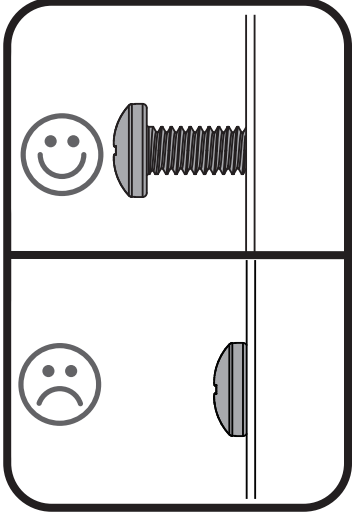
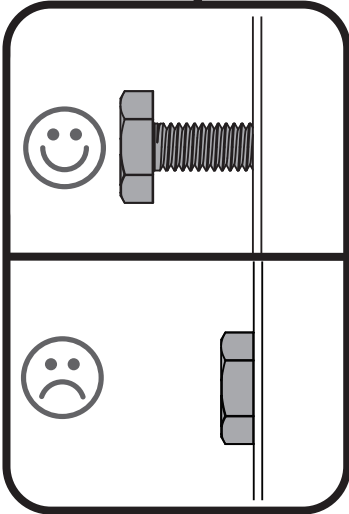
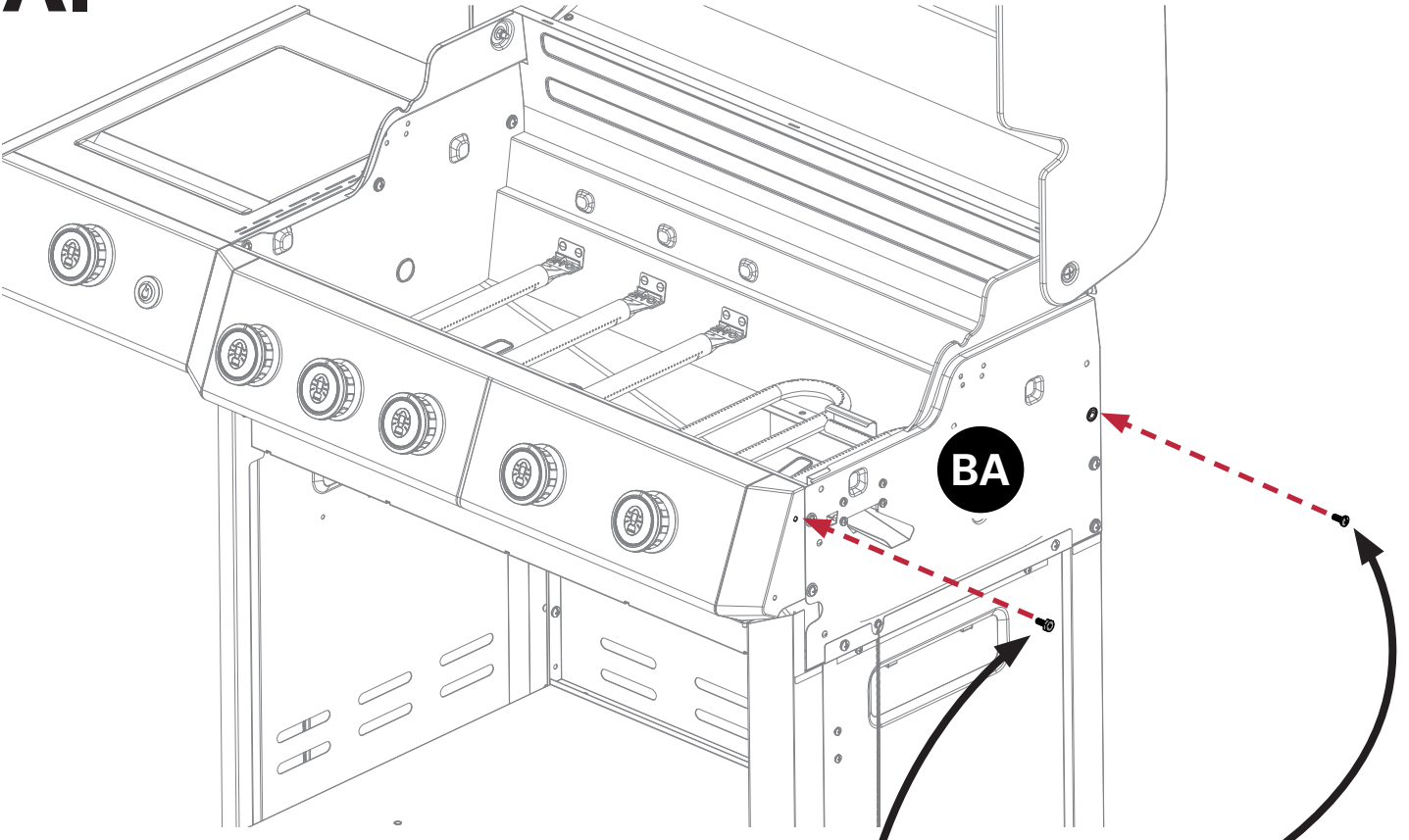
X 1



X 1



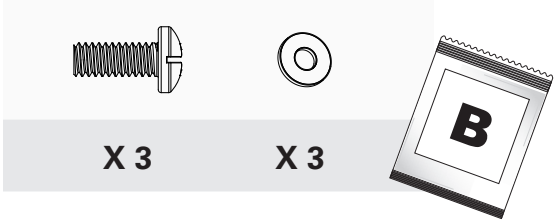
**A.**



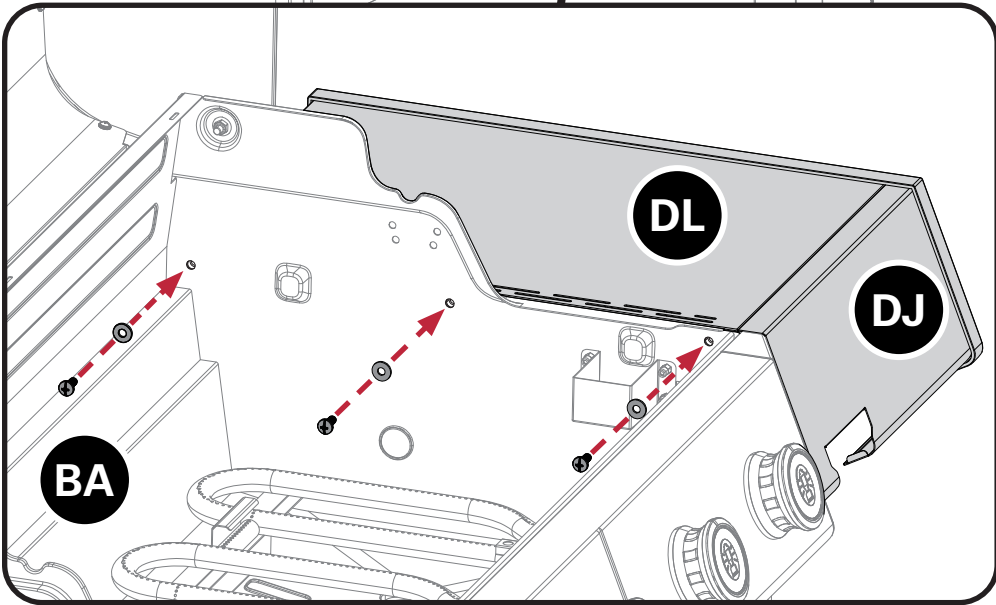
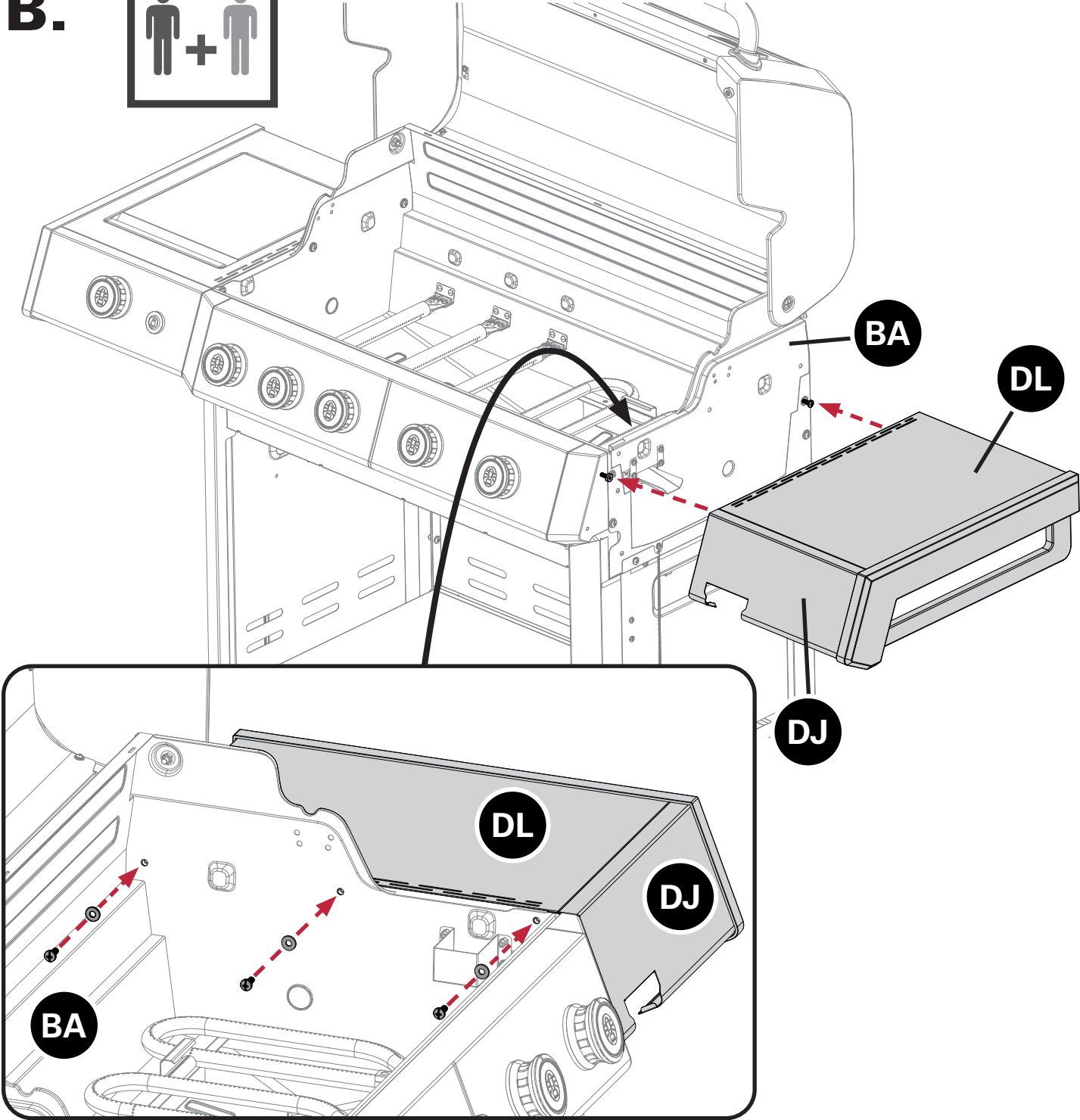
**Don't tighten the screws.**

# ASSEMBLY INSTRUCTIONS

**13**

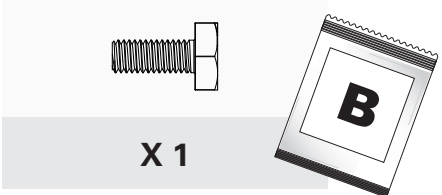


**B.**

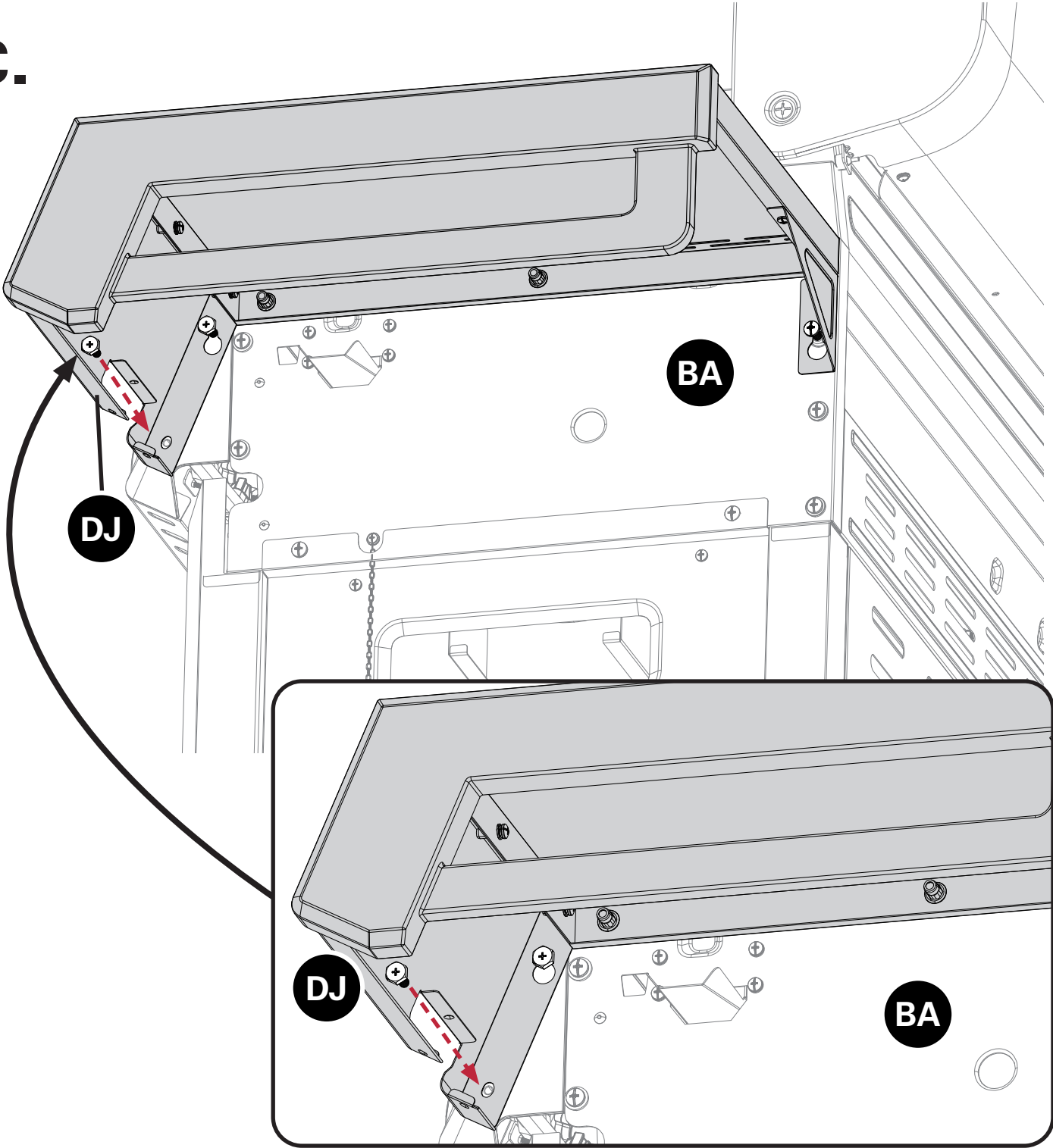


# ASSEMBLY INSTRUCTIONS

**13**



**C.**



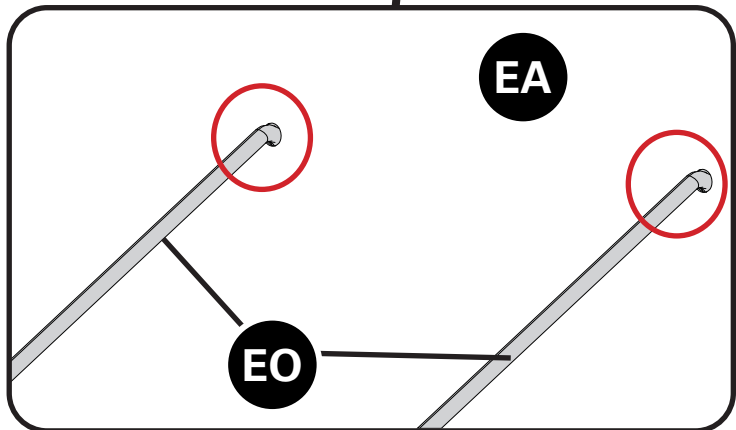
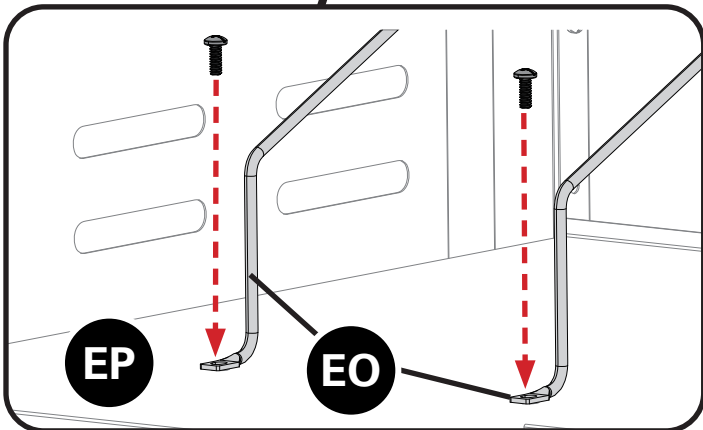
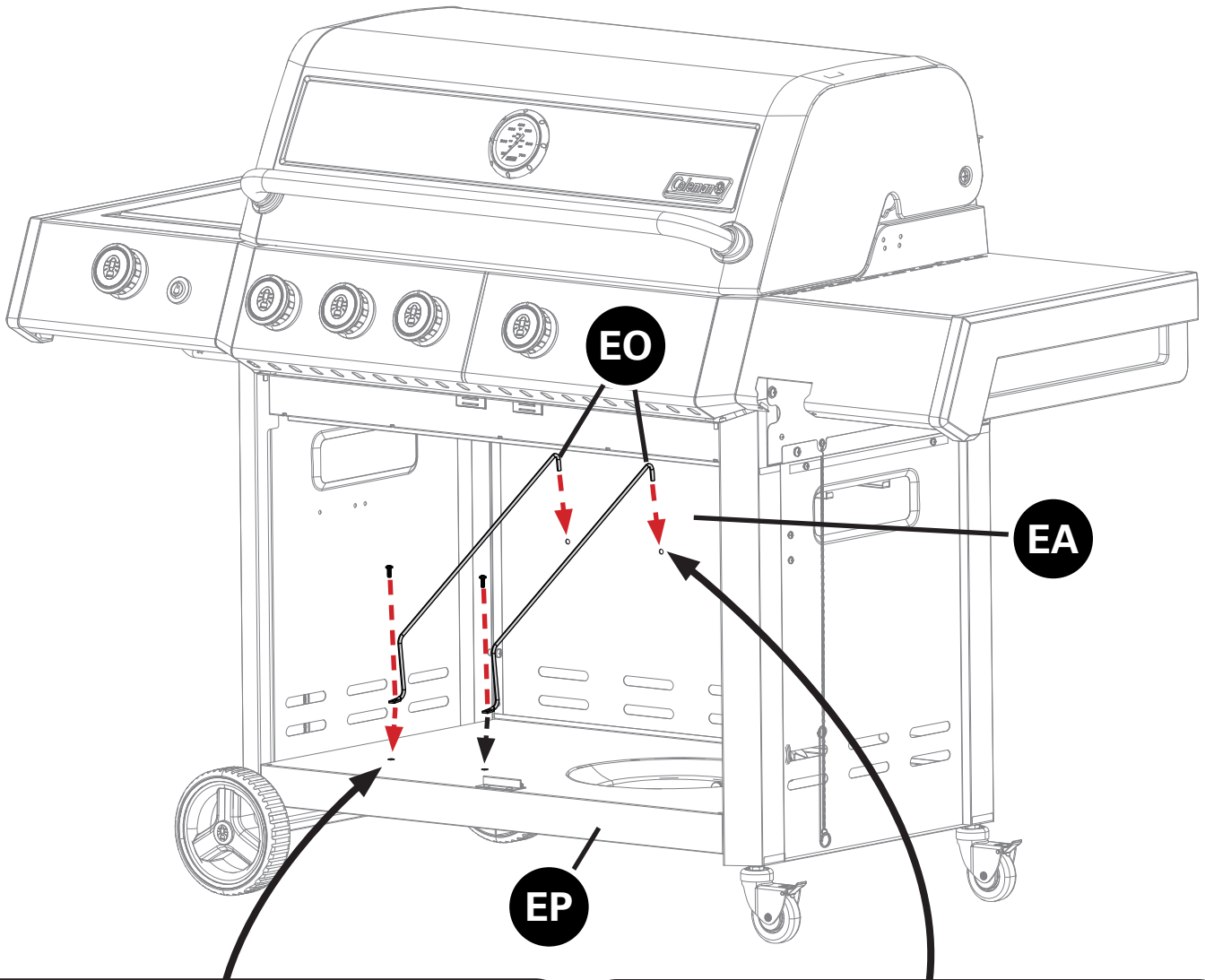
**Tighten all screws.**

# ASSEMBLY INSTRUCTIONS

**14**

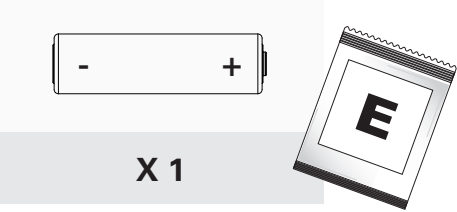
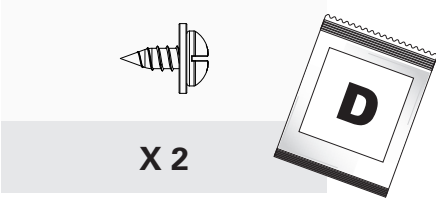


X 2

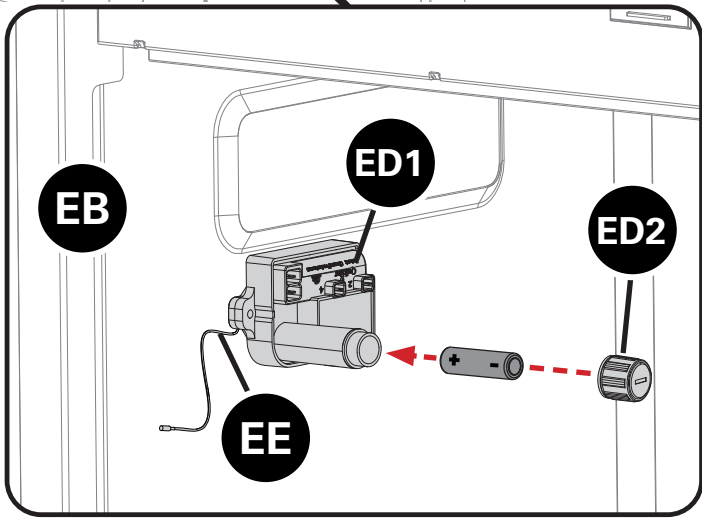
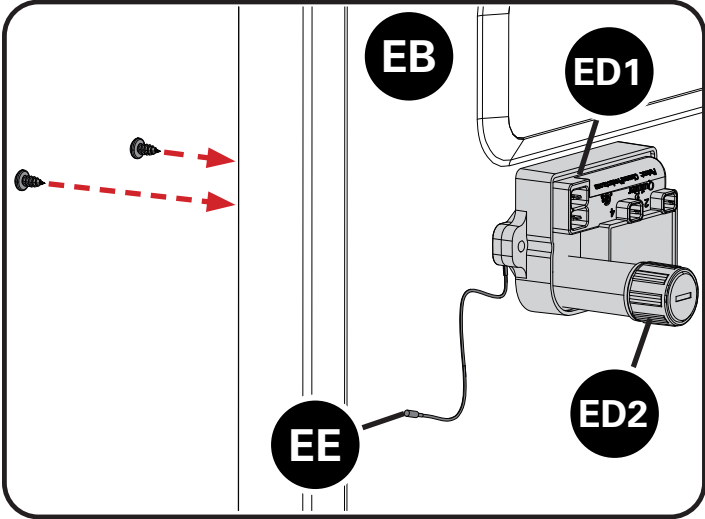
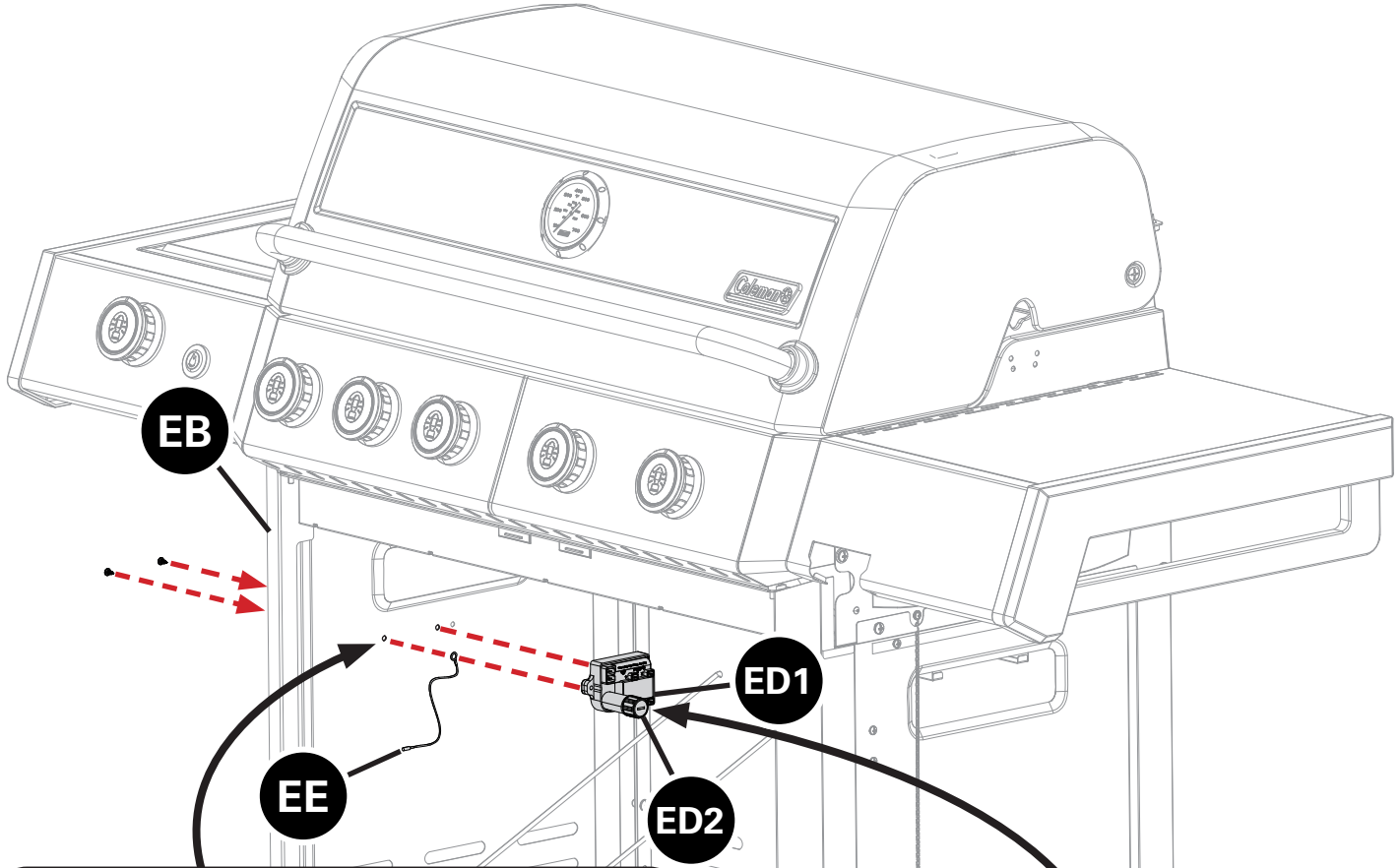


# ASSEMBLY INSTRUCTIONS

**15**



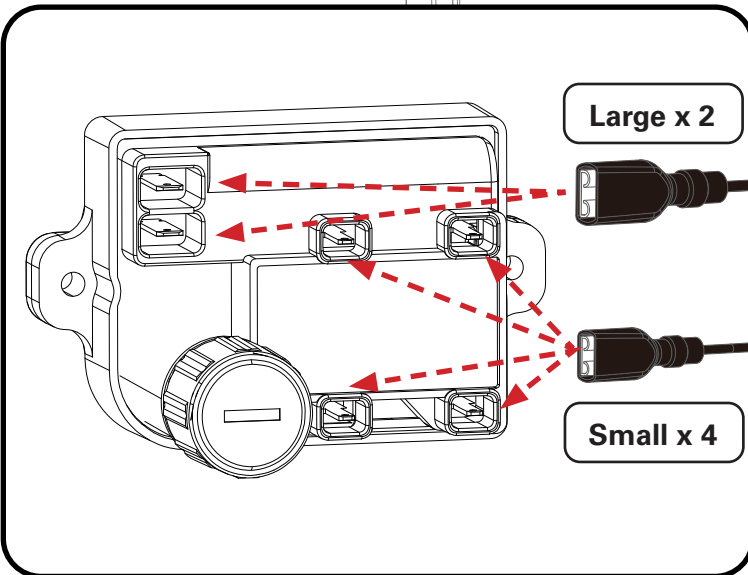
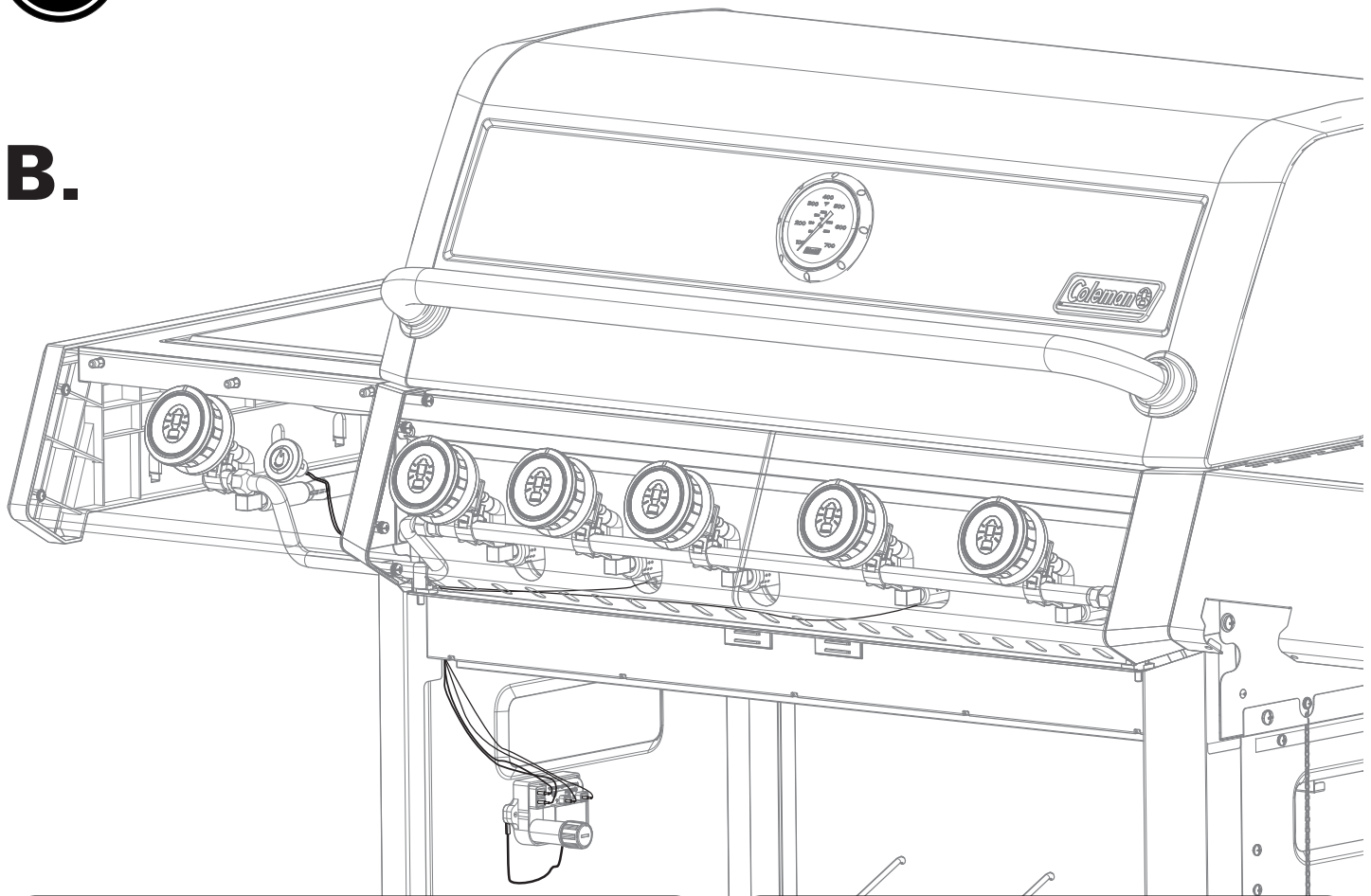
**A.**



# ASSEMBLY INSTRUCTIONS

**15**

**B.**



BE	Electrode Set, Grill Side   Small Wire
BT	Electrode Set, Griddle Side   Small Wire
DQ	Electrode Wire, Side Stove   Small Wire
DR	Ignition Wire   Large Wire x 2
EE	Ground Wire   Small Wire

If not visible, the electrode wires can be found behind the control panel.

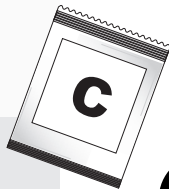
**Tip:** Firmly grasp the wires between your thumb and index finger. Insert the wire into the appropriate terminal until a positive connection is made.

# ASSEMBLY INSTRUCTIONS

**16**



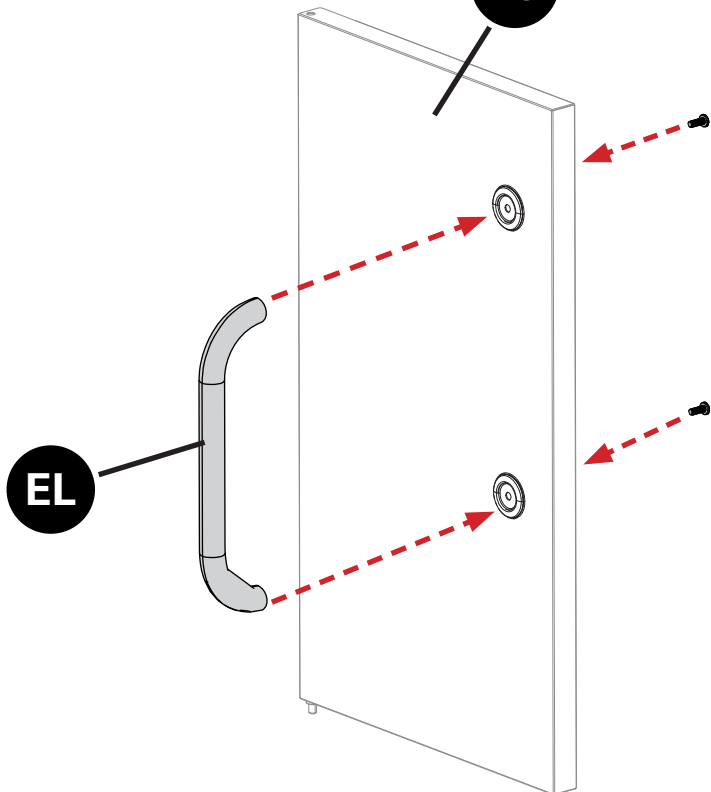
X 4



**EJ**

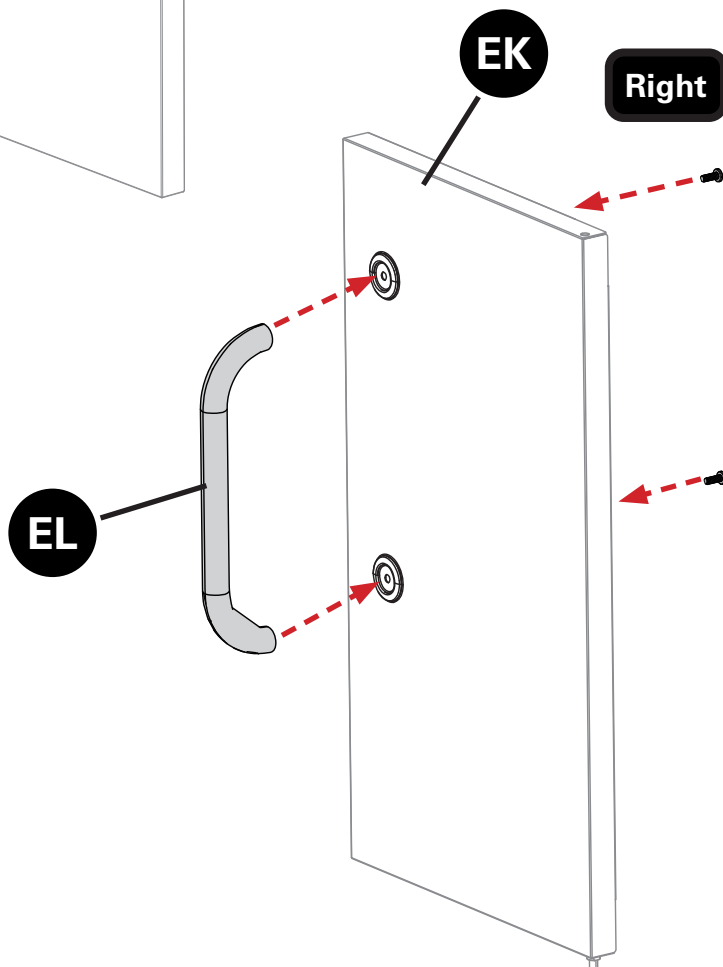
**Left**

**A.**



**Right**

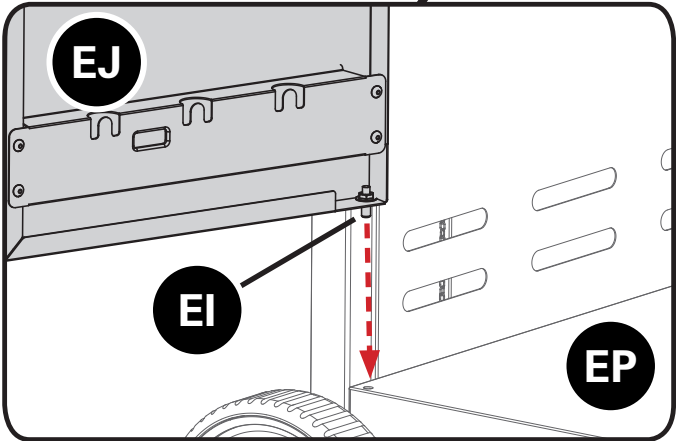
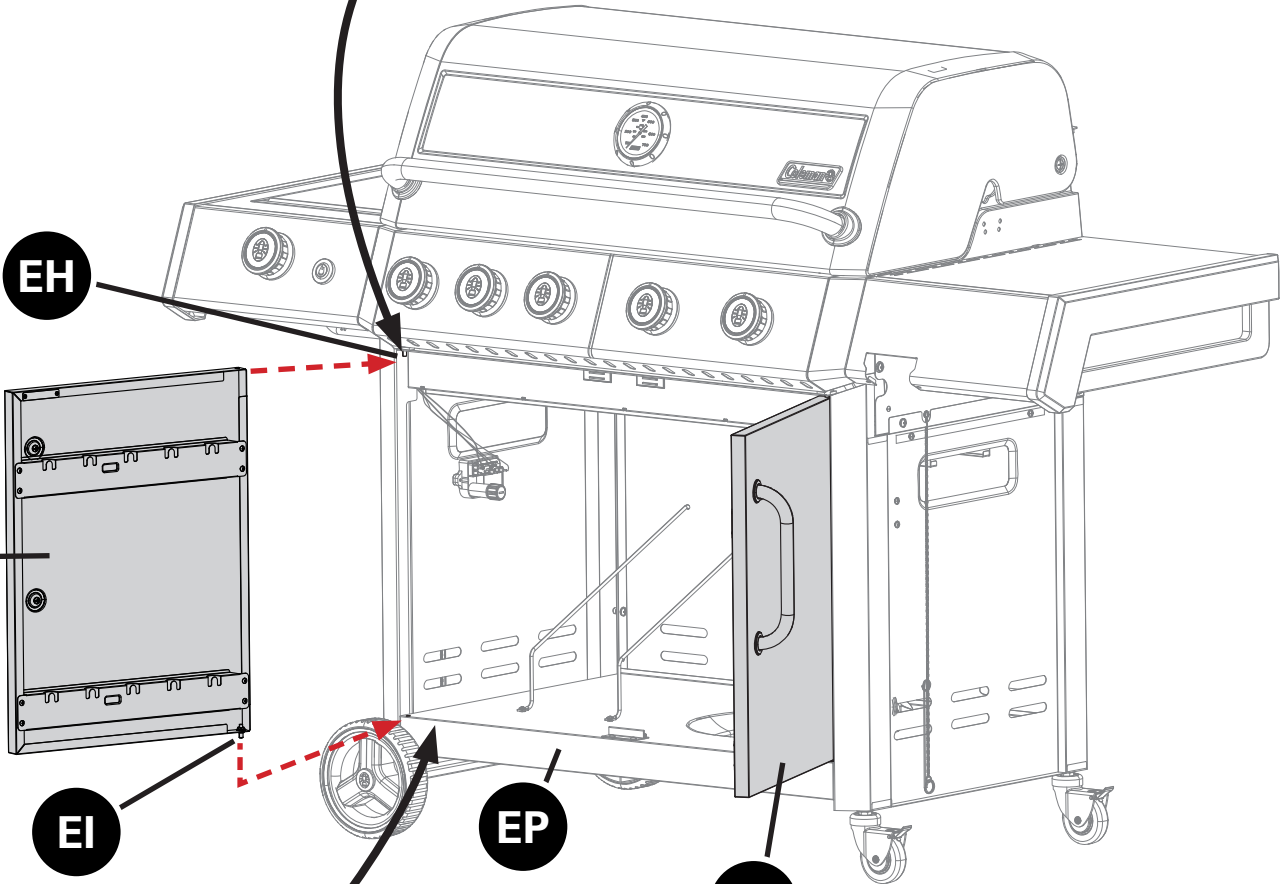
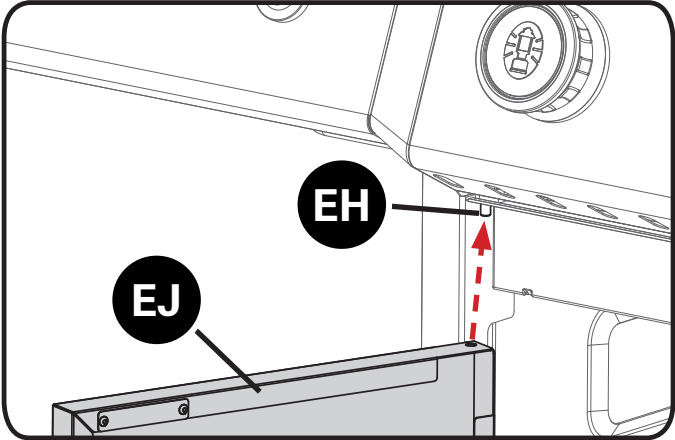
**B.**



# ASSEMBLY INSTRUCTIONS

16

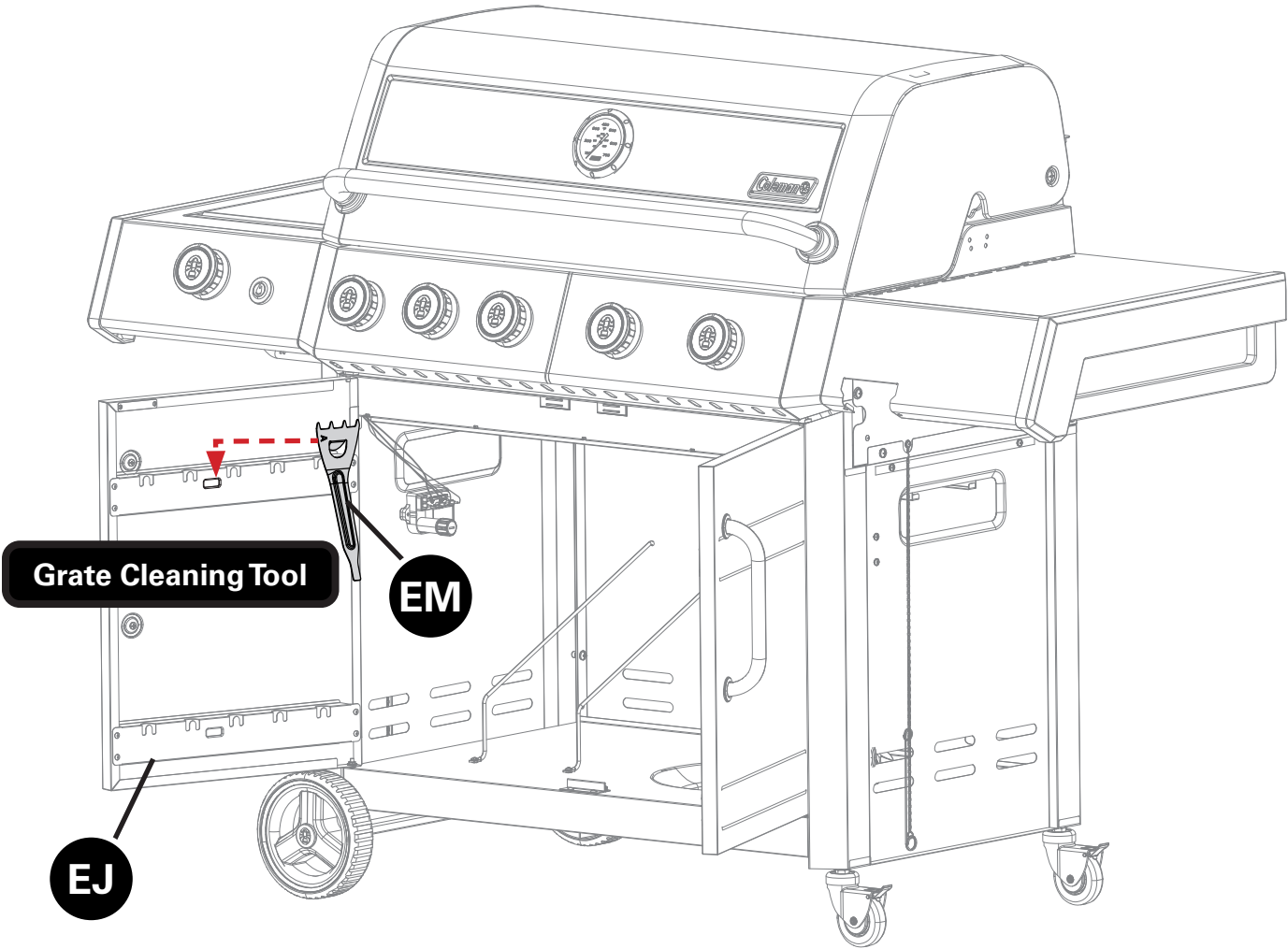
C.



# ASSEMBLY INSTRUCTIONS

16

D.



# ASSEMBLY INSTRUCTIONS



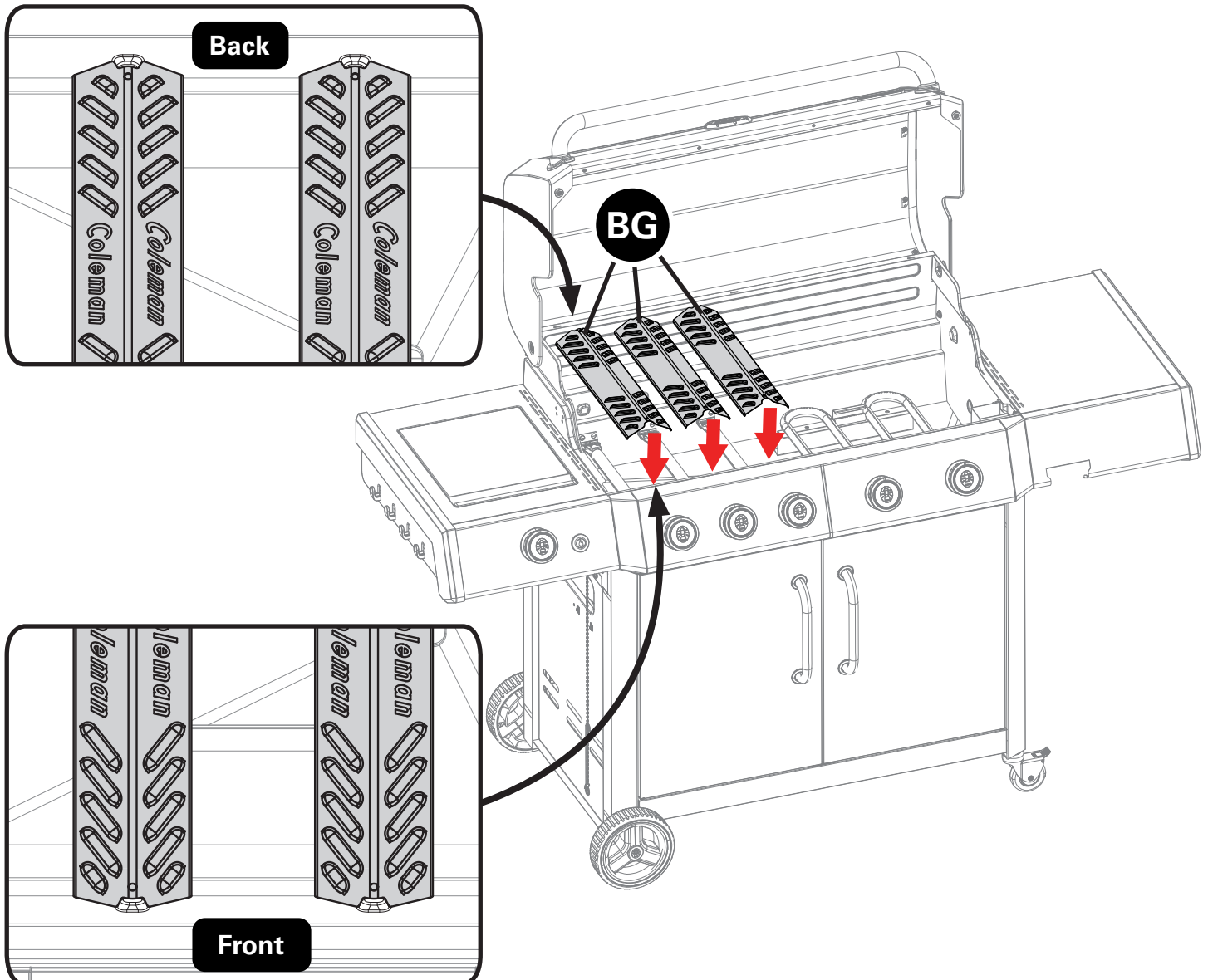
## CONVERTIBLE VALVE SYSTEM™

### ATTENTION:

Your model includes the CONVERTIBLE VALVE SYSTEM™. If you would like to convert your barbecue from propane to natural gas, the following kit is required Convertible Valve System™ Natural Gas Conversion Kit (085-2261-4).

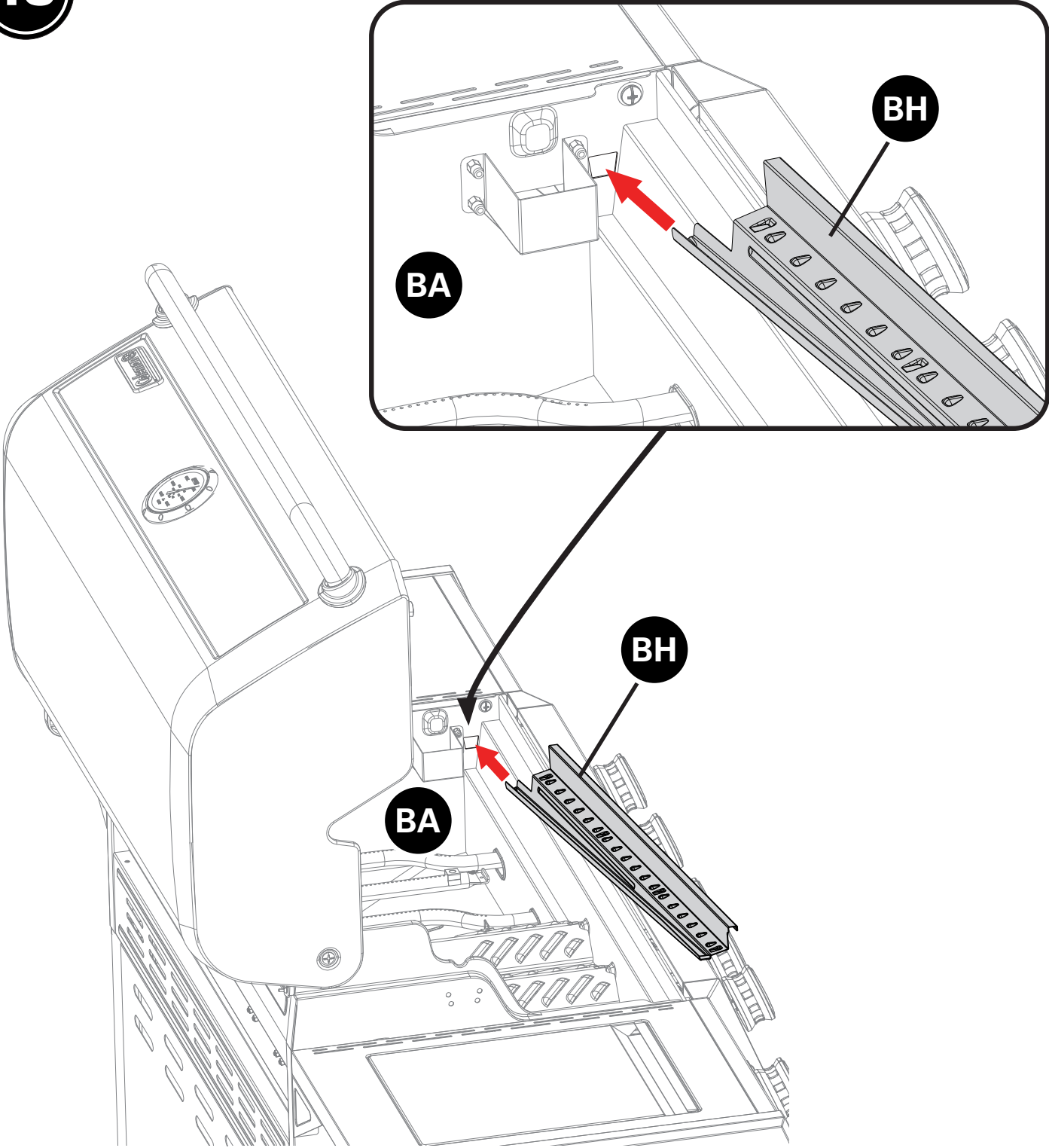
Before completing steps 17 to 21, follow the steps outlined in the CONVERTIBLE VALVE SYSTEM™ instruction manual that accompanied the kit.

17



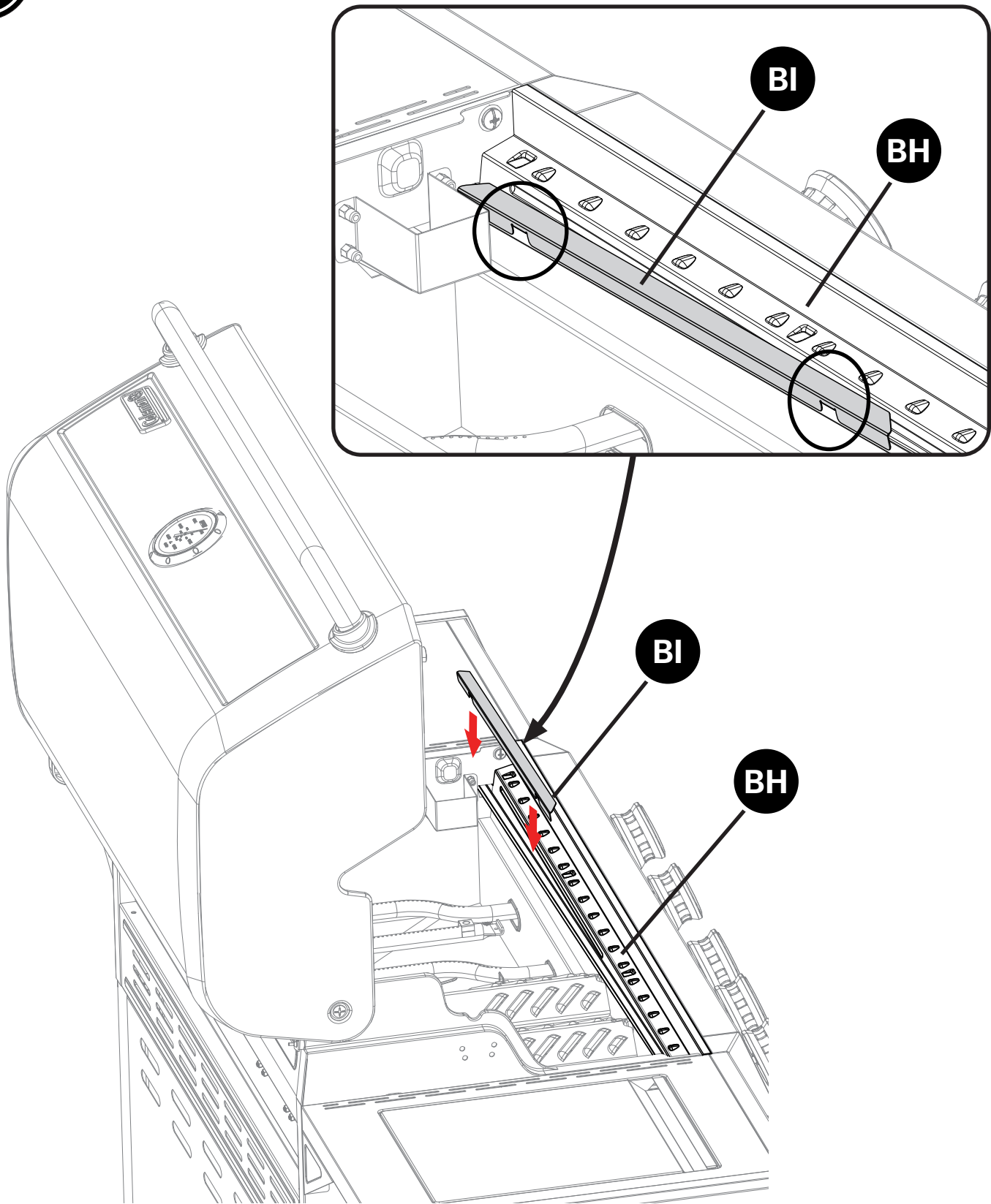
# ASSEMBLY INSTRUCTIONS

18



# ASSEMBLY INSTRUCTIONS

19



# ASSEMBLY INSTRUCTIONS

**20**

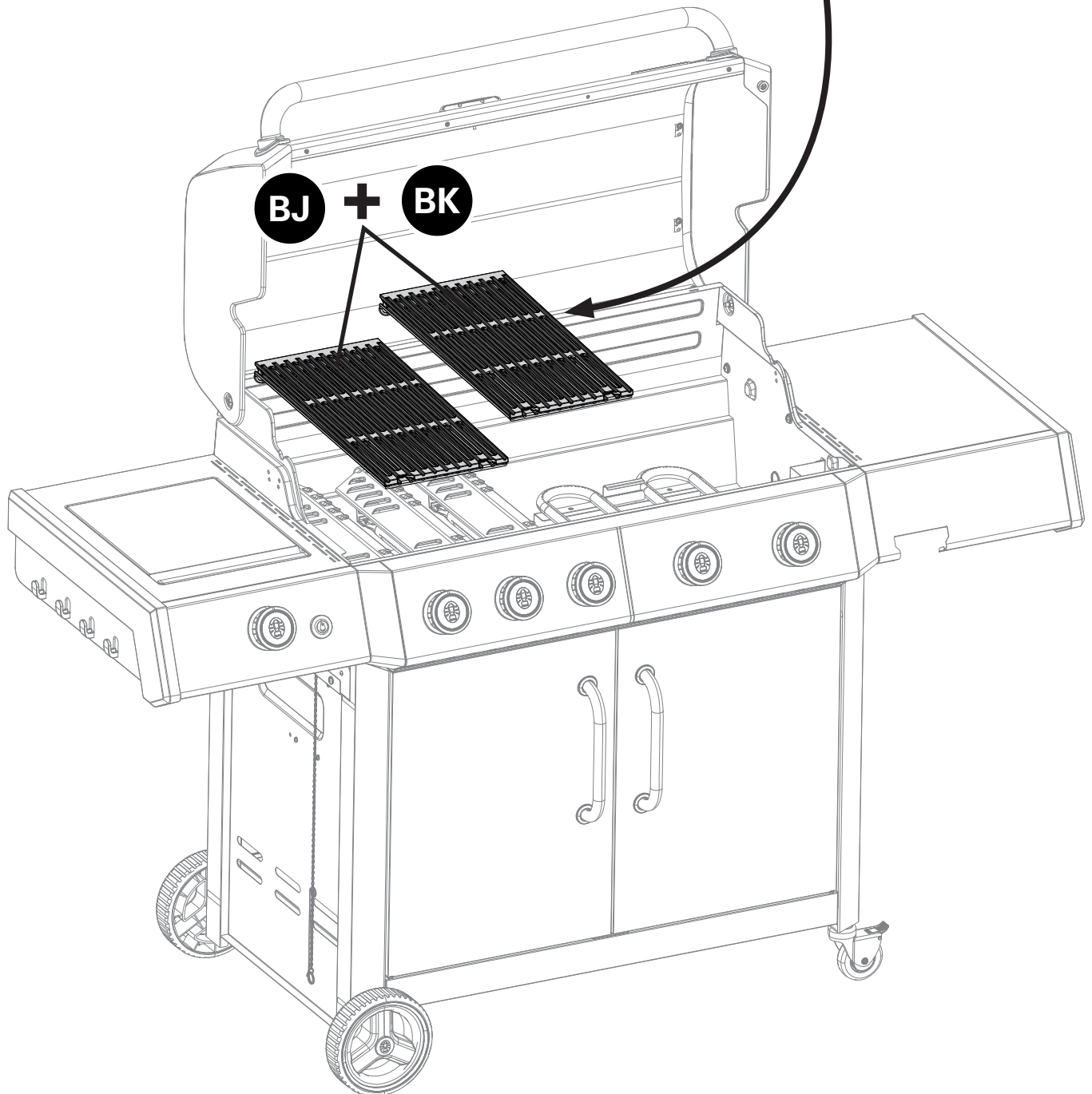
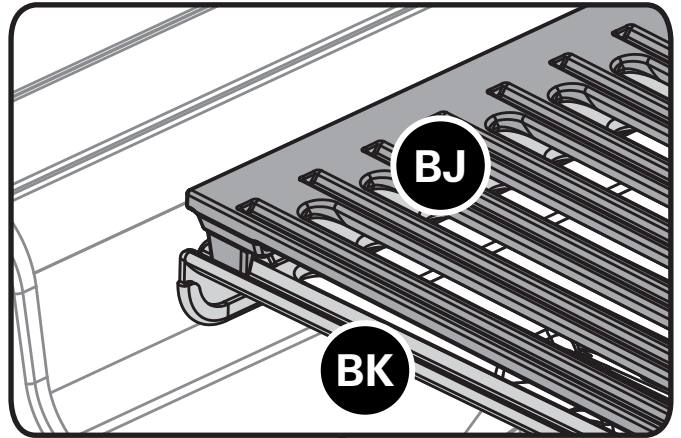
**⚠ ATTENTION:  
STACK GRATES BEFORE  
POSITIONING.**

Upper Cooking Grate:

BJ- Porcelain Cast Iron Cooking  
Grate

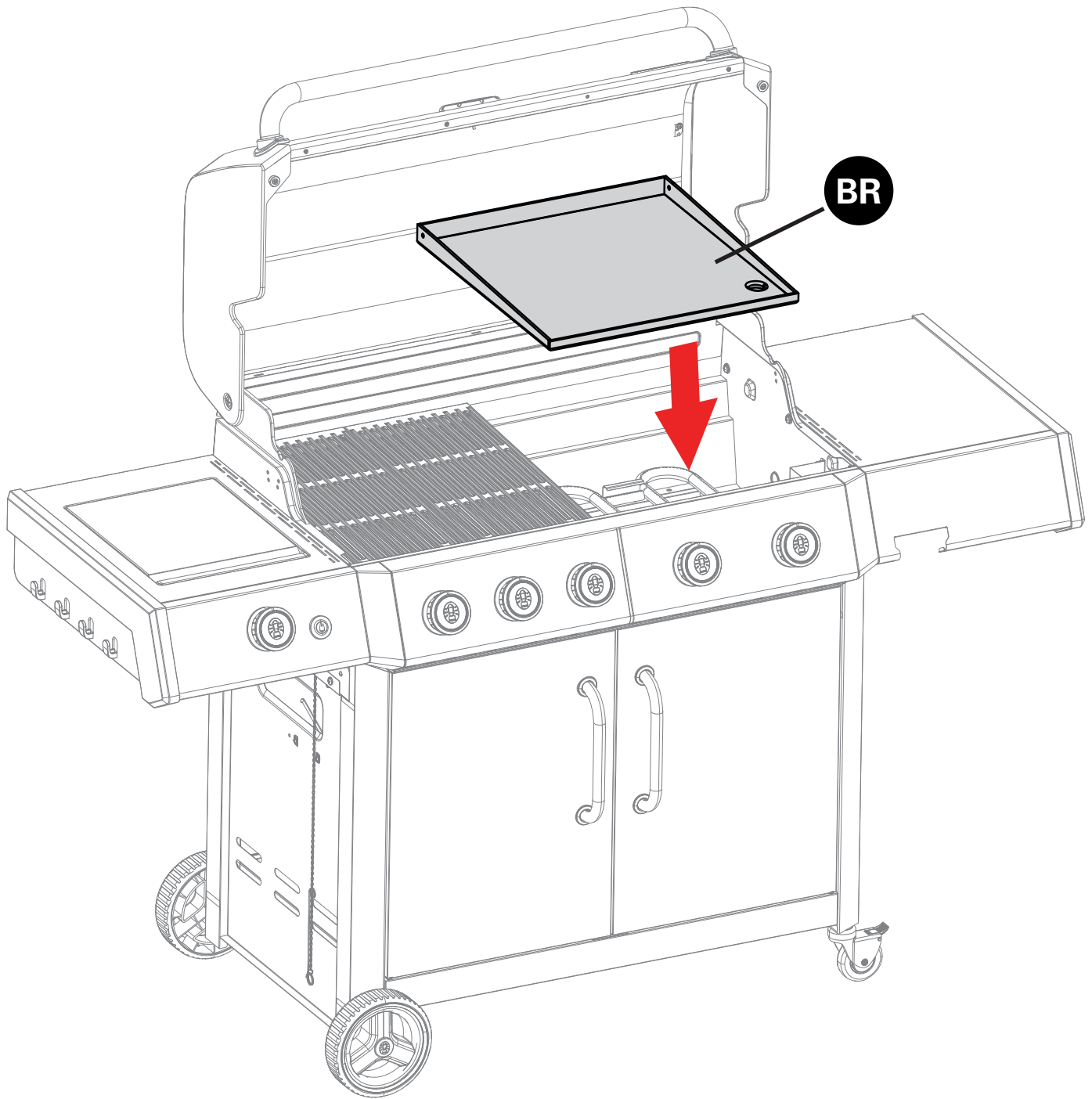
Lower Cooking Grate:

BK - Stamped Steel Cooking Grate



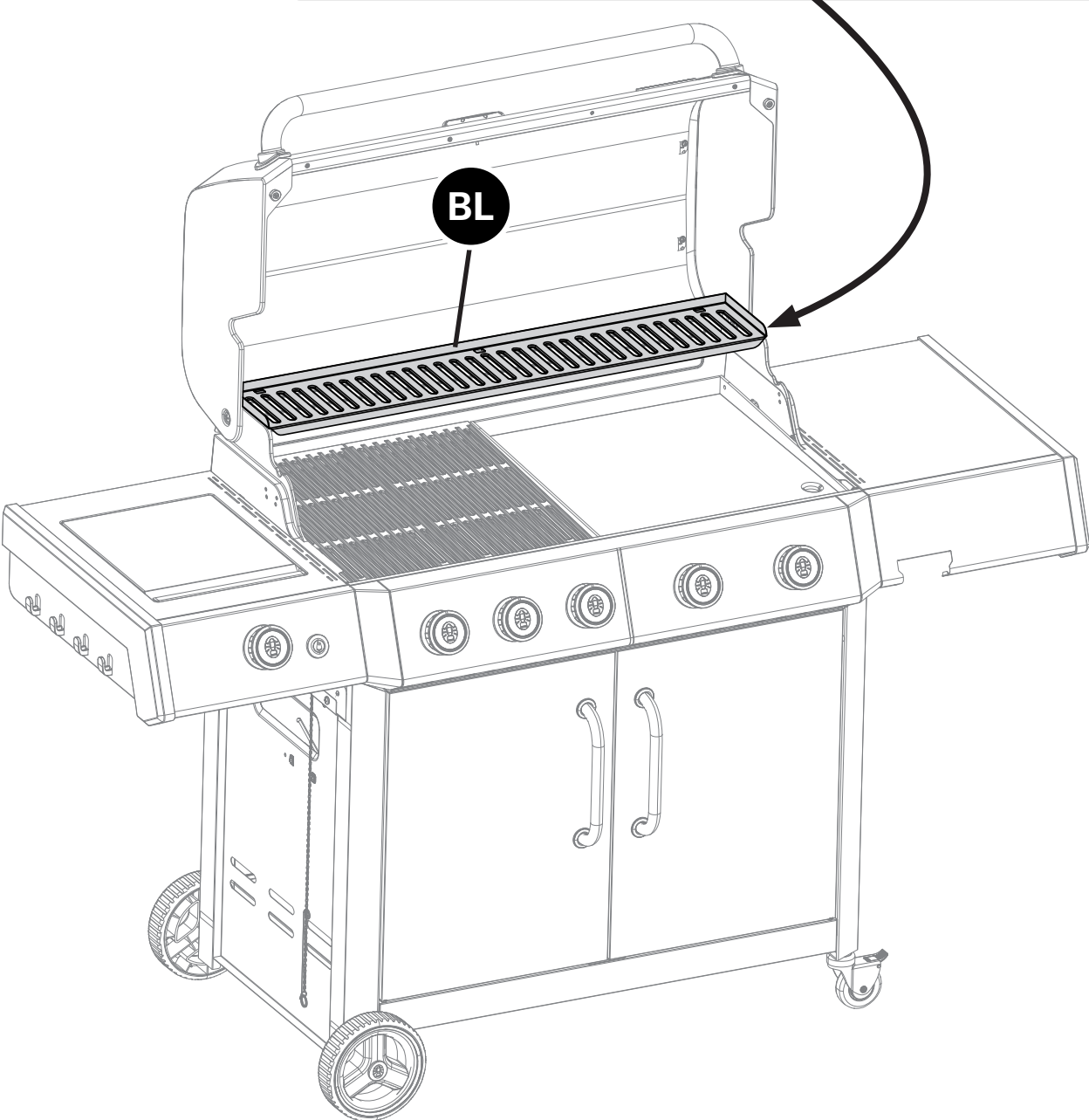
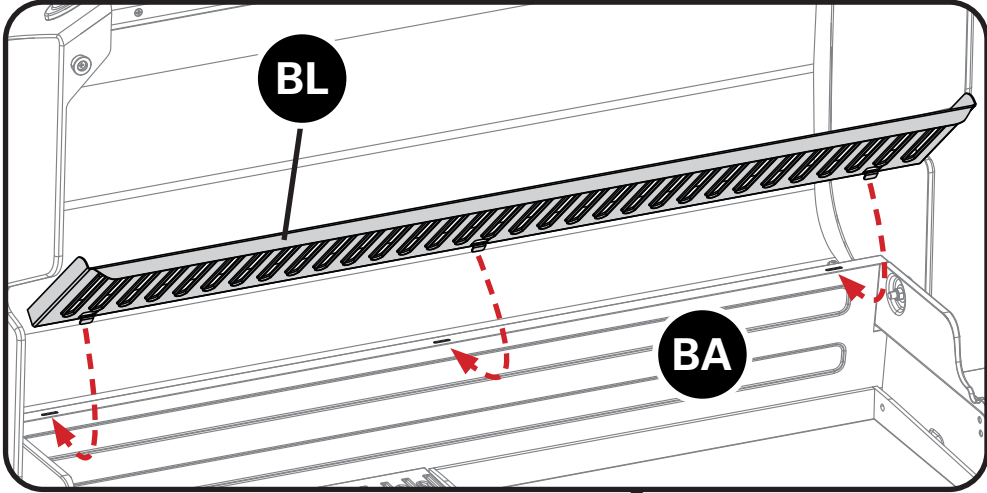
# ASSEMBLY INSTRUCTIONS

21



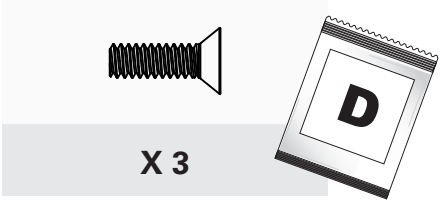
# ASSEMBLY INSTRUCTIONS

22

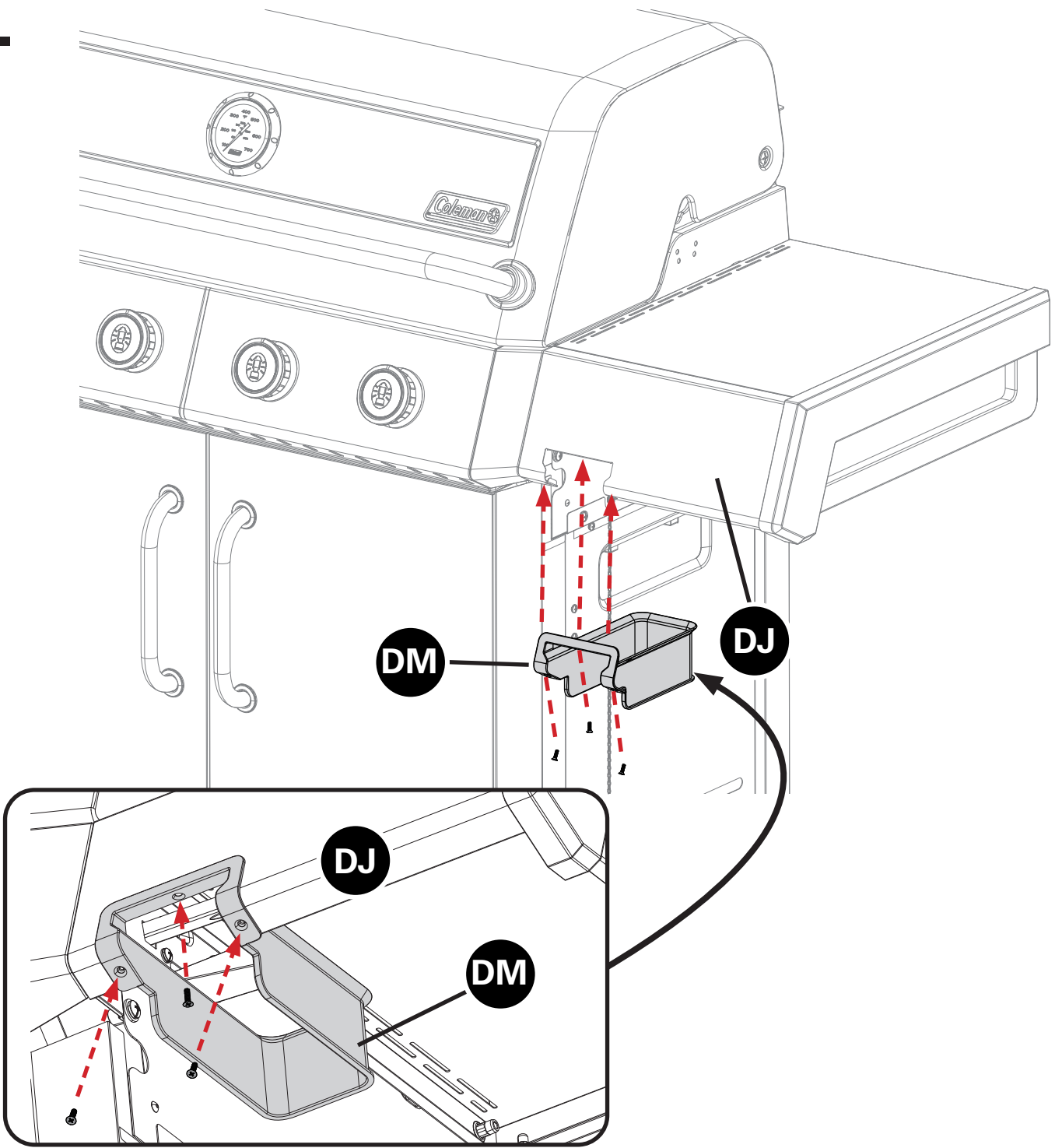


# ASSEMBLY INSTRUCTIONS

**23**



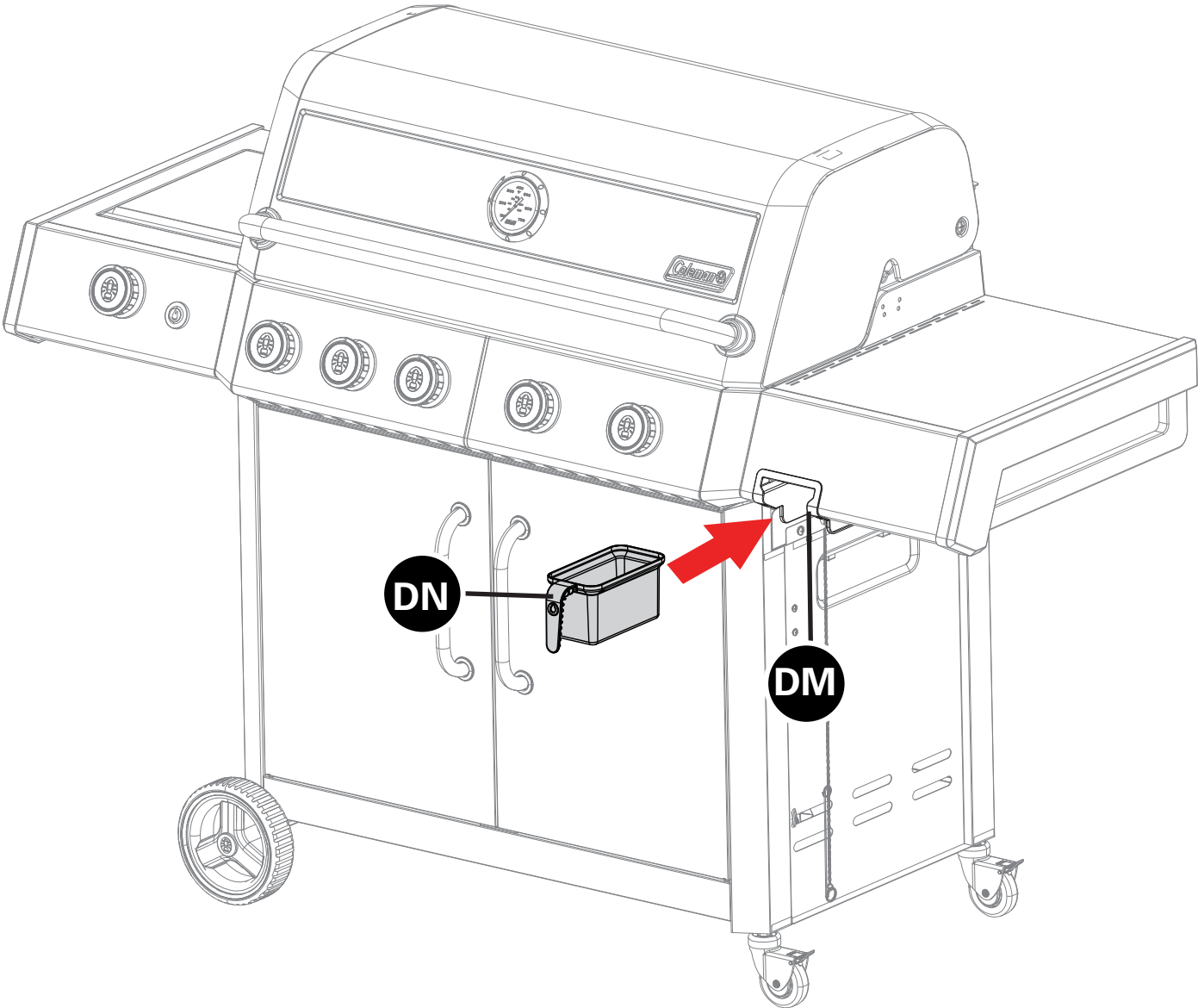
**A.**



# ASSEMBLY INSTRUCTIONS

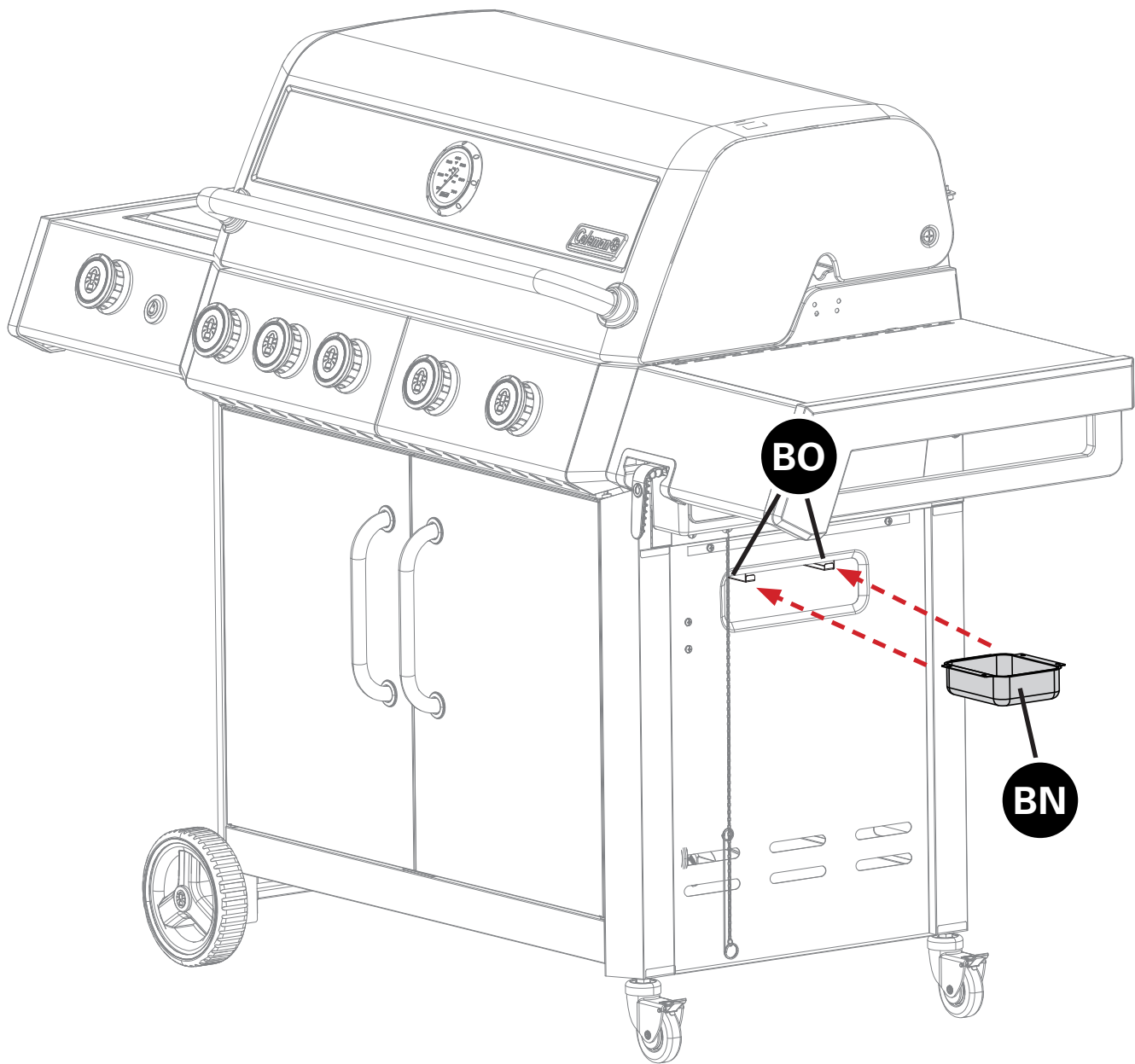
23

B.



# ASSEMBLY INSTRUCTIONS

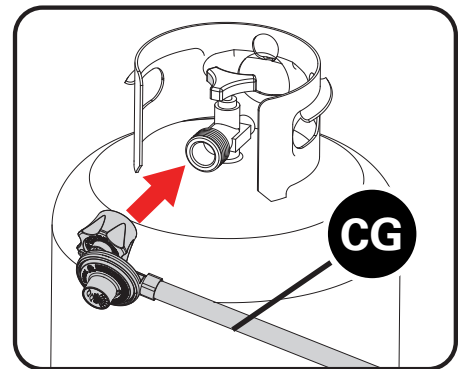
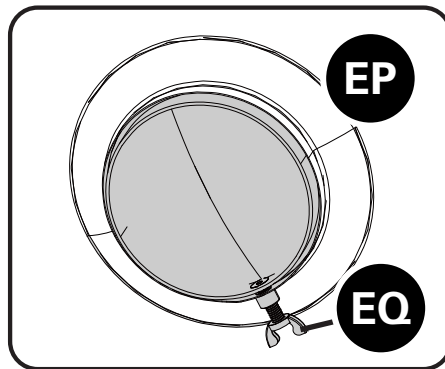
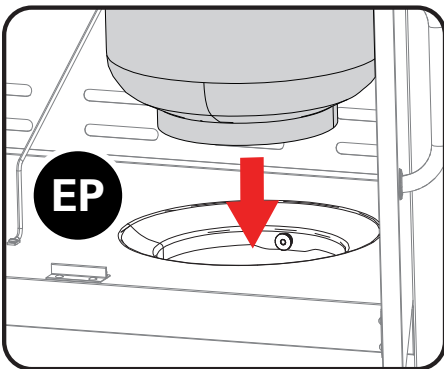
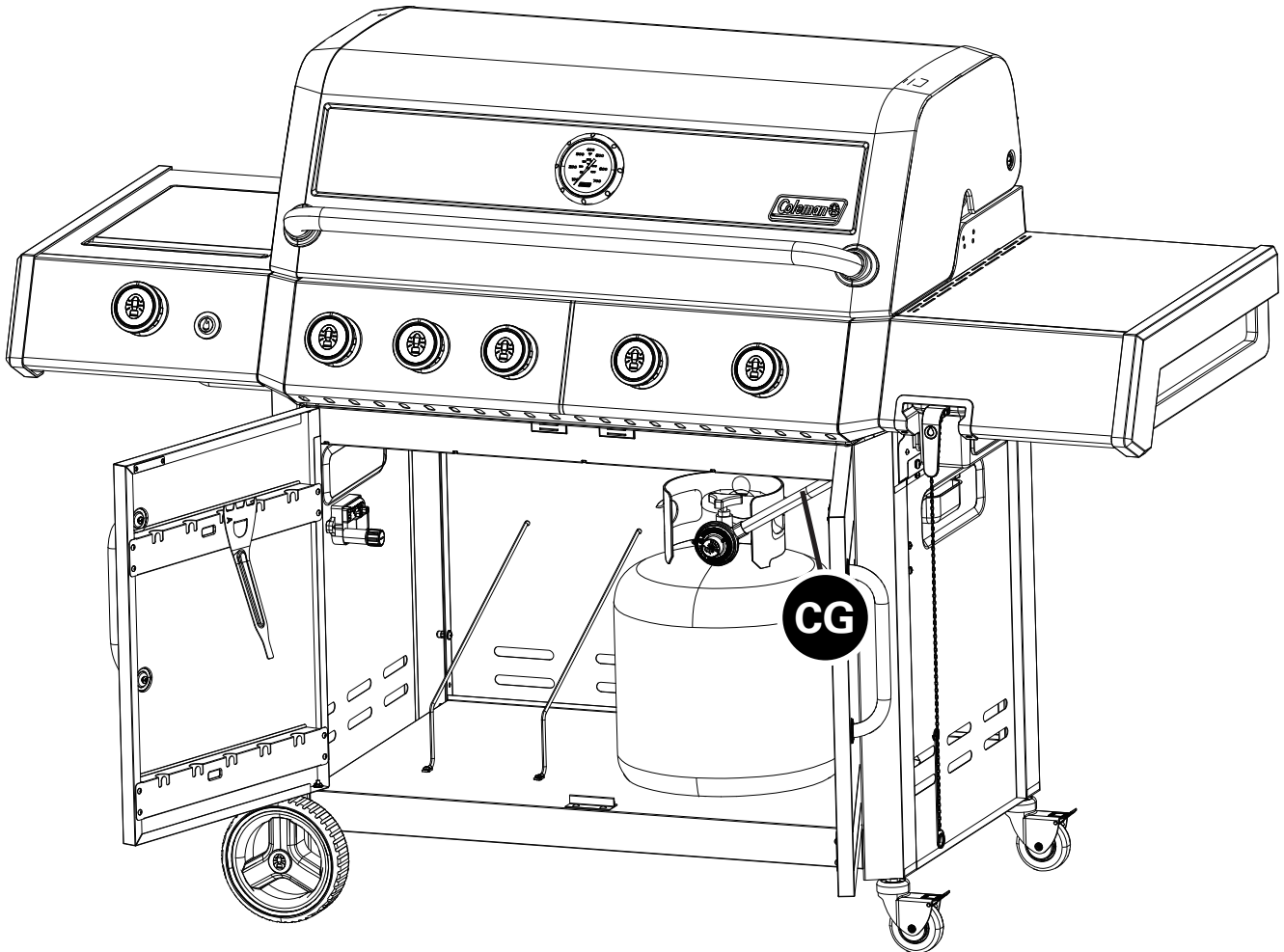
24



# ASSEMBLY INSTRUCTIONS

**25**

**FOR PROPANE MODEL ONLY.  
FOR NATURAL GAS MODEL, SEE NEXT PAGE.**



## ATTENTION:

It is the end users responsibility to complete the necessary safety checks and leak test before attempting to light this barbecue. Instructions are outlined on page 9 of the Safe Use and Care Manual. Failure to perform the necessary safety checks and leak test could result in a fire, personal injury or property damage.



## ADDITIONAL WARNINGS

You have now completed the assembly of your Coleman® barbecue.

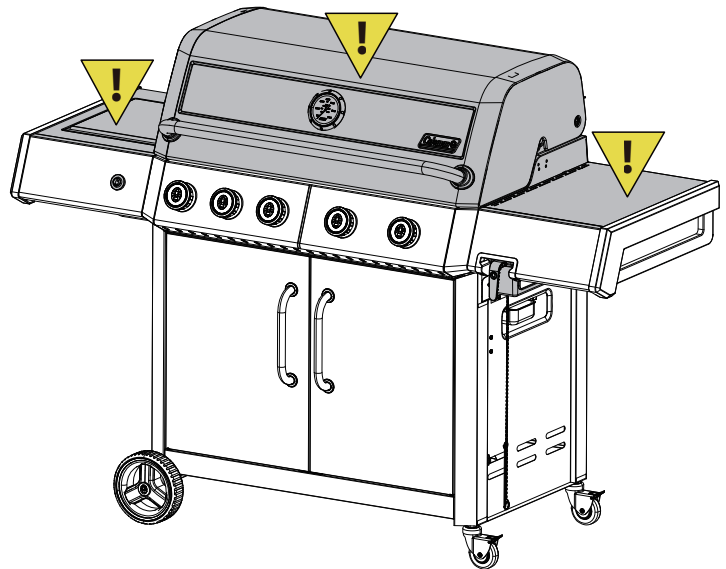
### NEXT STEPS:

1. Position your Barbecue
2. Read Safe Use & Care Manual
3. Perform Barbecue Safety Check-list

### ▲ WARNING:

FOR YOUR FAMILIES SAFETY, DO NOT ATTEMPT TO LIGHT THIS BARBECUE UNTIL YOU HAVE REVIEWED PAGES 4-7 OF THE COLEMAN® SAFE USE & CARE MANUAL. ALL SAFETY AND LEAK TESTS MUST BE PERFORMED BY THE END USER, PRIOR TO LIGHTING THIS BARBECUE.

### ▲ WARNING HOT SURFACES:



## POSITION YOUR BARBECUE

**Always confirm that this barbecue is not positioned under** a combustible object (e.g., an awning or umbrella) or in a covered area (e.g., porch or gazebo) before lighting it, to prevent a possible fire.

**Always confirm that this barbecue is not positioned under** the overhang of a house, a garage or other structure before lighting it. An overhang will serve to deflect flare-ups and radiate heat into the structure itself, which could result in a fire.

**Always confirm that this barbecue is positioned more than 36" (91.4 cm) away from any combustible materials or surfaces** before lighting it, and that no gasoline or other volatile substances are stored in the vicinity of this barbecue. The temperature of a grease fire or of the radiated heat might otherwise be sufficient to ignite nearby combustibles or volatile substances. Do not position near windows, siding, or fencing.

**Always locate the barbecue where there will be ample combustion and ventilation air**, but never position it in the direct path of a strong wind.

**Level your barbecue for optimal performance of Flare-Free Technology™.**



# REVOLUTION™ II

©2026 THE COLEMAN COMPANY, INC.

COLEMAN® is a registered trademark of The Coleman Company, Inc.,  
used under license.

[www.colemanbbqs.com](http://www.colemanbbqs.com)



[youtube.com/colemangrills](https://youtube.com/colemangrills)